

Code: LE-602433

# FLUSH-MOUNTING DISTRIBUTION CABINET 36-MODULAR **LE-602433**

## RWN LEGRAND

Net: **42.05 EUR** Gross: **51.72 EUR**



3-row 36-modular flush-mounting distribution electric cabinet.

### SPECIFICATION

|                              |  |
|------------------------------|--|
| Method of mounting:          | Flush  |
| Number of mounted modules:   | 12 + 1 x 3 rows, 17.5 mm   |
| Spacing between TH 35 rails: | 125 mm   |
| Transparent door:            | —  |
| Main features:               | <ul style="list-style-type: none"><li>• 6 mm thick metal door</li><li>• The door can be equipped with a lock</li><li>• Removable top and bottom panel</li><li>• Equipped with terminal blocks and modules blanking plates</li></ul>  |
| Equipment:                   | <ul style="list-style-type: none"><li>• Terminal blocks<br/>4 x ( 4 x 16 mm<sup>2</sup> + 4 x 10 mm<sup>2</sup> )<br/>1 x ( 15 x 16 mm<sup>2</sup> + 15 x 10 mm<sup>2</sup> )</li><li>• Module blanking plates : 2 x 5 pcs</li></ul> |
| Material:                    | Self-extinguishing   |
| Color:                       | White  |
| "Index of Protection":       | IP40   |
| IK rating:                   | IK07   |
| Complies with norms:         | PN-EN 60439-3, IEC/EN 61439-3  |
| Weight:                      | 3.652 kg   |
| Dimensions:                  | 350 x 585 x 93 mm ,<br>330 x 555 x 87 mm - flush-mounting box  |

DELTA-OPTI Monika Matysiak; <https://www.delta.poznan.pl>  
POL; 60-713 Poznań; Graniczna 10  
e-mail: [delta-opti@delta.poznan.pl](mailto:delta-opti@delta.poznan.pl); tel: +(48) 61 864 69 60

|                       |         |
|-----------------------|---------|
| Manufacturer / Brand: | LEGRAND |
| Guarantee:            | 2 years |

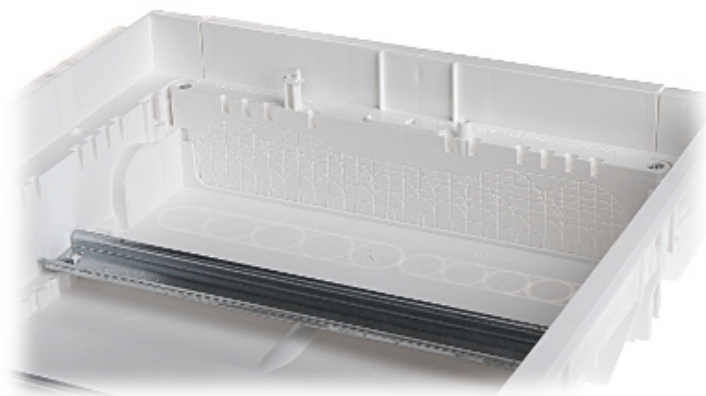
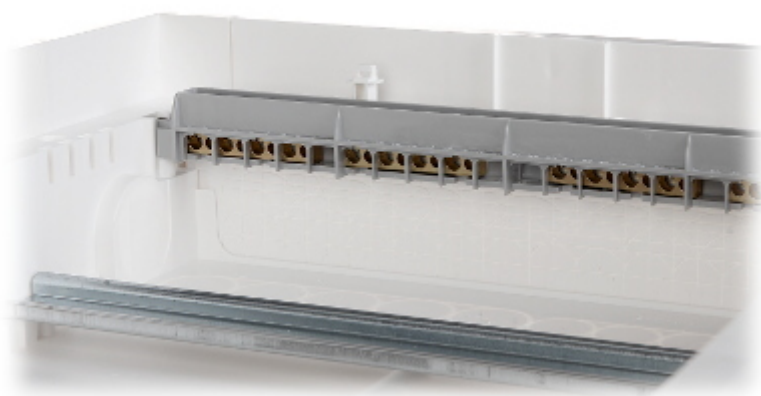
## PRESENTATION

Front view:

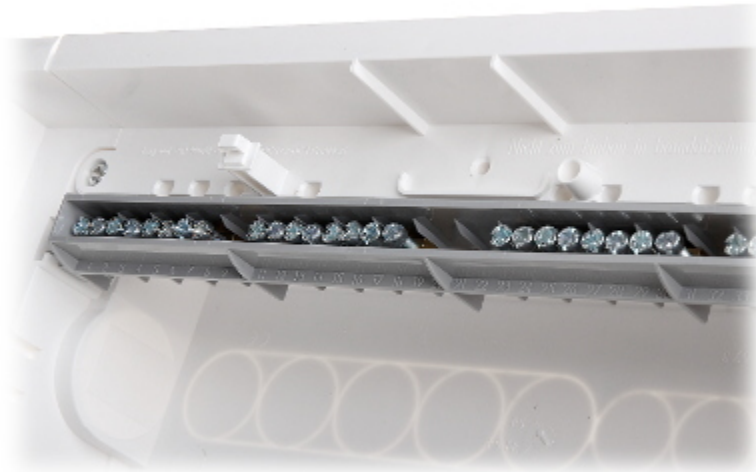




Internal view of the housing:



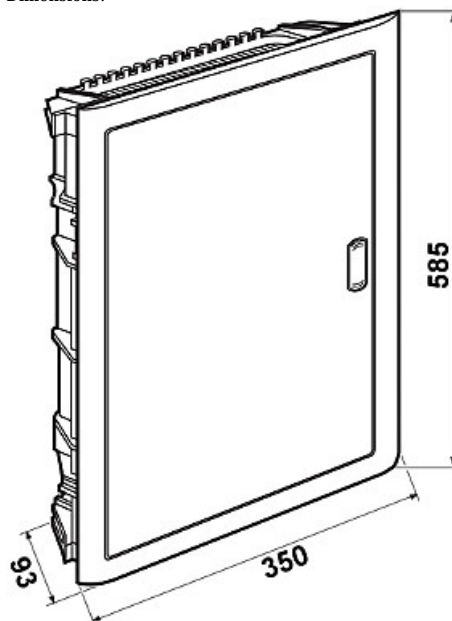
DELTA-OPTI Monika Matysiak; <https://www.delta.poznan.pl>  
POL; 60-713 Poznań; Graniczna 10  
e-mail: [delta-opti@delta.poznan.pl](mailto:delta-opti@delta.poznan.pl); tel: +(48) 61 864 69 60



Mounting side view:



Dimensions:



In the kit:

