

Code: LZK-15X12/P2

## STRAIGHT CABLE DUCTING **LZK-15X12/P2** 15x13

Net: **7.47 PLN** Gross: **9.19 PLN**

Cable ducting is intended for installation to the distribution of low voltage. One side of the lid is a part of the trunking body, the second side of the lid can be simply snapped on, it is fitted with double lock increasing the trunking's rigidity and ensuring stronger cover fixation.

Wall or ceiling mounting.



### SPECIFICATION

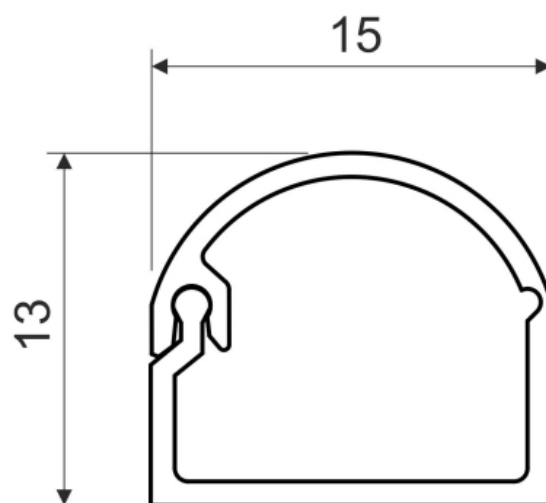
Width:	15 mm
Height:	13 mm
Length:	2000 mm
Material:	PVC
Color:	White
Main features:	<ul style="list-style-type: none"><li>• Assembly : self-adhesive tape</li><li>• flammability index : 850 °C</li><li>• impact resistance : 0.5 J</li><li>• inside area : 120 mm<sup>2</sup></li></ul>
Operation temp:	-5 °C ... 60 °C
"Index of Protection":	IP30
Weight:	0.142 kg
Guarantee:	2 years

### PRESENTATION

DELTA-OPTI Monika Matysiak; <https://www.delta.poznan.pl>  
POL; 60-713 Poznań; Graniczna 10  
e-mail: [delta-opti@delta.poznan.pl](mailto:delta-opti@delta.poznan.pl); tel: +(48) 61 864 69 60



Dimensions:





DELTA-OPTI Monika Matysiak; <https://www.delta.poznan.pl>  
POL; 60-713 Poznań; Graniczna 10  
e-mail: [delta-opti@delta.poznan.pl](mailto:delta-opti@delta.poznan.pl); tel: +(48) 61 864 69 60