

Code: PR312EM-BK-G

ACCESS CONTROLLER **PR312EM-BK-G** ROGER

Net: **127.68 EUR** Gross: **127.68 EUR**



Outdoor proximity cards and key-fobs reader with controller built-in. Unique 125 kHz standard.

SPECIFICATION

Cards support:	Unique EM 125kHz
Reading distance of prox-keys:	max. 15 cm
Keyboard built-in:	—
Communication:	<ul style="list-style-type: none">• RS-485• RACS (Roger)• Biometric Reader support (RFT1000 Mode)
Selected features of the standalone mode:	<ul style="list-style-type: none">• 4000 indexed users,• 32000 events buffer,• Operation with XM-2 I/O extension module (Full Standalone Mode)
Main features:	<ul style="list-style-type: none">• The ability to add additional reader (bilateral way door control),• 3 programmable input lines NO/NC,• 2 programmable transistor outputs 1A,• Programmable relay output 1.5A/30V,• Any topology of communication bus,• 99 General Purpose Schedules,• 250 access groups,• Possibility to connect the XM-2 type in/out expander,• Integration with an alarm system via in/out line,• Door modes (Normal, Locked, Unlocked and Conditionally Unlocked),• Identification modes (Card or PIN, Card and PIN, Card only, PIN only),• Two users function, dual identification mode and other advanced functions of access control,• System management via WAN/ LAN network, or COM/USB serial port,• Possibility to split the system into subsystems,• Tamper protection (detection of removing from mounting surface and enclosure opening),• LED indication,• Beep signal
Power supply:	10 ... 15 V DC

DELTA-OPTI Monika Matysiak; <https://www.delta.poznan.pl>
POL; 60-713 Poznań; Graniczna 10
e-mail: delta-opti@delta.poznan.pl; tel: +(48) 61 864 69 60

Average current consumption:	50 mA
Operation temp:	-25 °C ... 60 °C
Permissible relative humidity:	10 ... 95 % (non-condensing)
Weight:	0.18 kg
Dimensions:	152.5 x 46 x 23 mm (Standard housing stand) 152.5 x 46 x 35 mm (Thicker housing stand)
Manufacturer / Brand:	ROGER
Guarantee:	3 years

PRESENTATION

Front panel:



Internal view of the housing:

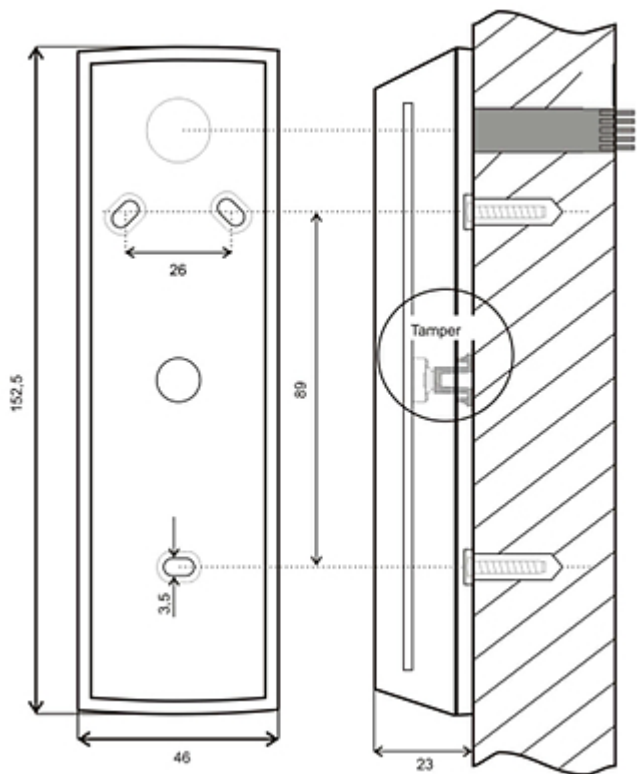




Mounting side view:



Dimensions:



In the kit:



PACKAGE

Dimensions (L x W x H): 0x0x0 mm	Gross Weight: 0 kg
----------------------------------	--------------------