

Code: PR622-G

ACCESS CONTROLLER **PR622-G** ROGER

Net: **103.69 EUR** Gross: **127.54 EUR**



Outdoor proximity cards and key-fobs reader with controller built-in. Unique 125 kHz standard.
The PR622-G controller can operate autonomously or in the network mode.

SPECIFICATION

Cards support:	Unique EM 125kHz
Reading distance of prox-keys:	max. 15 cm
Autonomous operation:	✓
Doorbell button:	—
Relay contacts load:	1.5 A / 30 V
Battery backup support:	—
Keyboard built-in:	—
Input lines:	3
Output lines:	3
Tamper output:	✓
Communication:	<ul style="list-style-type: none">• RS-485• RACS (Roger)
Power supply:	10 ... 15 V DC
Average current consumption:	50 mA
Main features:	<ul style="list-style-type: none">• Unique EM 125kHz proximity reader built-in• PRT series readers support• 4000 indexed users• History of 32000 events• 99 General Purpose Schedules• 250 access groups• Tamper detection - removing from mounting surface



DELTA-OPTI Monika Matysiak; <https://www.delta.poznan.pl>
POL; 60-713 Poznań; Graniczna 10
e-mail: delta-opti@delta.poznan.pl; tel: +(48) 61 864 69 60

Environment class:	IV
"Index of Protection":	IP67
Operation temp:	-25 °C ... 60 °C
Permissible relative humidity:	10 ... 95 % (non-condensing)
Weight:	0.15 kg
Dimensions:	85 x 85 x 27 mm
Manufacturer / Brand:	ROGER
Guarantee:	3 years

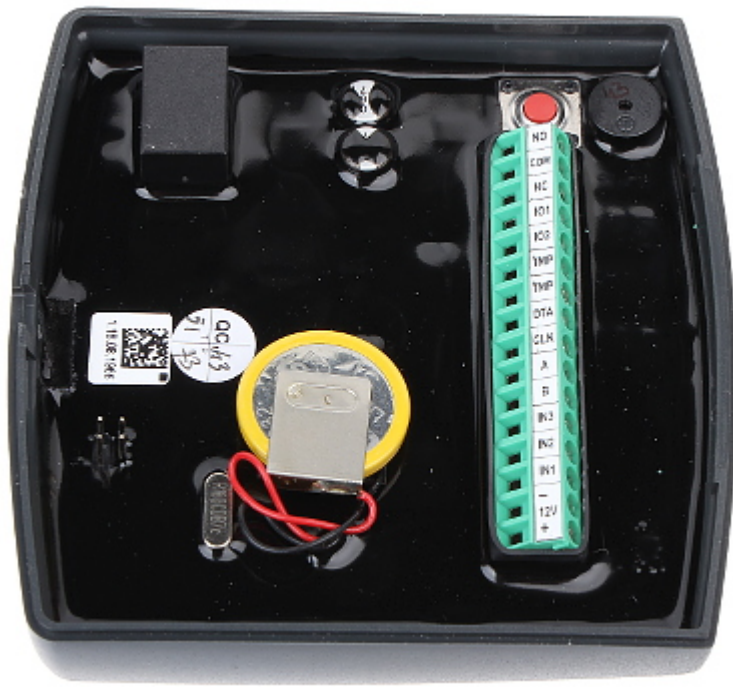
PRESENTATION

Front panel:



Internal view of the housing:

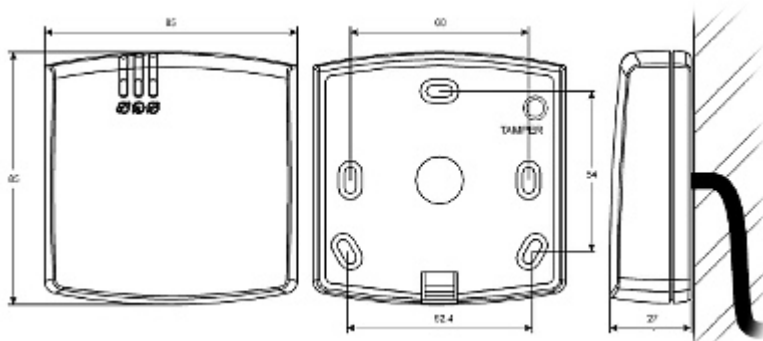




Mounting side view:



Dimensions:



In the kit:

