

Code: PR621

## ACCESS CONTROLLER **PR621** ROGER

Net: **87.01 EUR** Gross: **107.02 EUR**



Outdoor proximity cards and key-fobs reader with controller built-in. Unique 125 kHz standard.  
The PR621 controller can operate autonomously or in the network mode.

### SPECIFICATION

Relay contacts load:	1.5 A / 30 V
Battery backup support:	—
Keyboard built-in:	—
Input lines:	3
Output lines:	3
Communication:	<ul style="list-style-type: none"><li>• RS-485</li><li>• RACS (Roger)</li></ul>
Power supply:	10 ... 15 V DC
Main features:	<ul style="list-style-type: none"><li>• Unique EM 125kHz proximity reader built-in</li><li>• PRT series readers support</li><li>• 1000 indexed users</li><li>• History of 250 000 events</li><li>• 99 General Purpose Schedules</li><li>• 250 access groups</li><li>• Tamper detection - removing from mounting surface</li><li>• Function to prevent of multiple use of the same code/card to gain access (anti-passback)</li></ul>
Environment class:	IV
Operation temp:	-25 °C ... 60 °C
Permissible relative humidity:	10 ... 95 % (non-condensing)
Weight:	0.15 kg
Dimensions:	85 x 85 x 27 mm

DELTA-OPTI Monika Matysiak; <https://www.delta.poznan.pl>  
POL; 60-713 Poznań; Graniczna 10  
e-mail: [delta-opti@delta.poznan.pl](mailto:delta-opti@delta.poznan.pl); tel: +(48) 61 864 69 60

Manufacturer / Brand:	ROGER
Guarantee:	3 years

## PRESENTATION

Front panel:



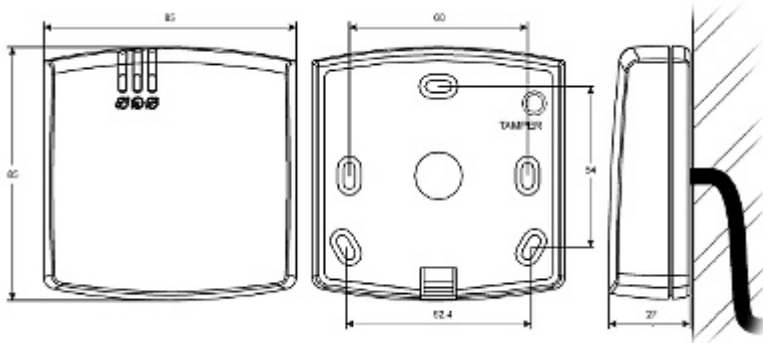
Internal view of the housing:



Mounting side view:



Dimensions:



In the kit:



## PACKAGE

Dimensions (L x W x H): 0x0x0 mm	Gross Weight: 0 kg
----------------------------------	--------------------