

Code: ASI7223X-A

## ACCESS CONTROLLER **ASI7223X-A** - 1080p DAHUA

Net: **1 265.67 EUR** Gross: **1 556.77 EUR**



Access controller based on face recognition.

With face recognition algorithm, the access controller can recognize more than 360 positions on human face.

### SPECIFICATION

Sensor:	1/2.8 " CMOS
Matrix size:	2.1 Mpx
Resolution:	1920 x 1080 - 1080p
General information:	
Standard:	TCP/IP
Range of IR illumination:	5 m
White light LED illuminator range:	5 m
Temperature measurement:	—
Face recognition distance:	0.3 m ... 2.0 m (max 100 000 faces in the database)
RFID proximity reader built-in:	MIFARE 13.56 MHz
Internal memory:	Support storage of 300 000 records
Video output:	—
RS-485 interface:	✓
RS-232 interface:	✓
Wiegand interface:	✓
USB:	2 x USB 2.0
Memory card slot:	—

DELTA-OPTI Monika Matysiak; <https://www.delta.poznan.pl>  
POL; 60-713 Poznań; Graniczna 10  
e-mail: [delta-opti@delta.poznan.pl](mailto:delta-opti@delta.poznan.pl); tel: +(48) 61 864 69 60

Alarm inputs / outputs:	1 / 1 - Relay output
Audio:	Speaker built-in
Network interface:	<ul style="list-style-type: none"> <li>• 1 x 10/100 Base-T (RJ-45)</li> <li>• 1 x 10/100/1000 Base-T (RJ-45)</li> </ul>
Network protocols:	IPv4, RTSP, RTP, TCP, UDP, P2P
WEB Server:	Built-in
ONVIF:	✓
Default IP address:	192.168.1.108
Default admin user / password:	admin / - The administrator password should be set at the first start
Web browser access ports:	80, 37777
PC client access ports:	37777
Main features:	<ul style="list-style-type: none"> <li>• Built-in LCD display showing the image from the video camera - 7 " capacitive touch screen, 1024 x 600 px</li> <li>• Identification modes : PIN, Proximity identifier Mifare, Face recognition, Any combination of the above</li> <li>• Wiegand 34/26</li> <li>• WDR - 120 dB - Wide Dynamic Range</li> <li>• LED indication</li> <li>• Buzzer for acoustic signaling of some system events</li> <li>• AGC - Automatic Gain Control</li> <li>• Sharpness - sharper image outlines</li> <li>• Day/Night mode (color/b&amp;w/auto)</li> <li>• RESET button</li> </ul>
Power supply:	12 V DC / 2 A (power adapter included)
Power consumption:	≤ 24 W
Housing:	Aluminum + Tempered glass
Color:	Black + Silver
"Index of Protection":	IP65 ( after additional sealing the housing connection with the mounting surface, e.g. with silicone )
Operation temp:	-30 °C ... 60 °C
Weight:	3 kg
Dimensions:	428 x 129 x 99 mm
Montage hole diameter:	37 mm
Supported languages:	English
Manufacturer / Brand:	DAHUA
Guarantee:	<b>3 years</b>

## PRESENTATION



DELTA-OPTI Monika Matysiak; <https://www.delta.poznan.pl>  
POL; 60-713 Poznań; Graniczna 10  
e-mail: delta-opti@delta.poznan.pl; tel: +(48) 61 864 69 60

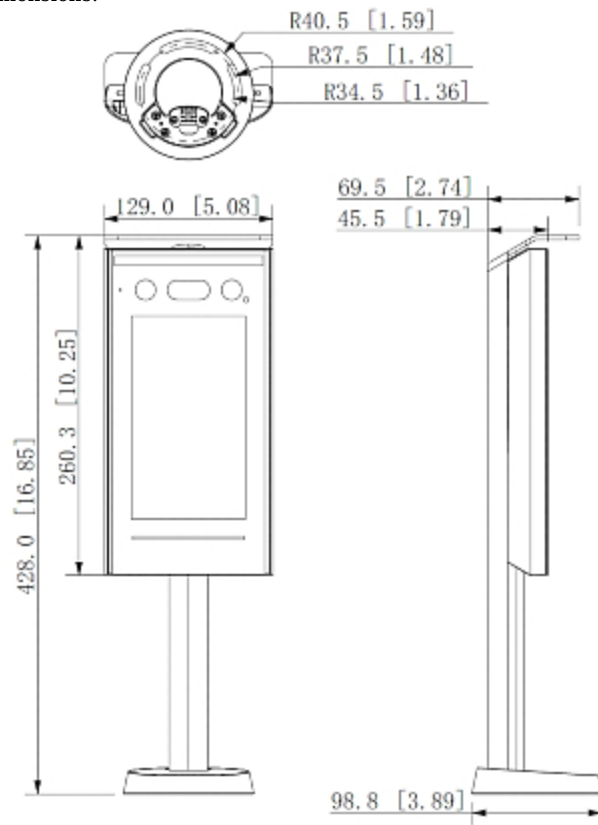
Front view:



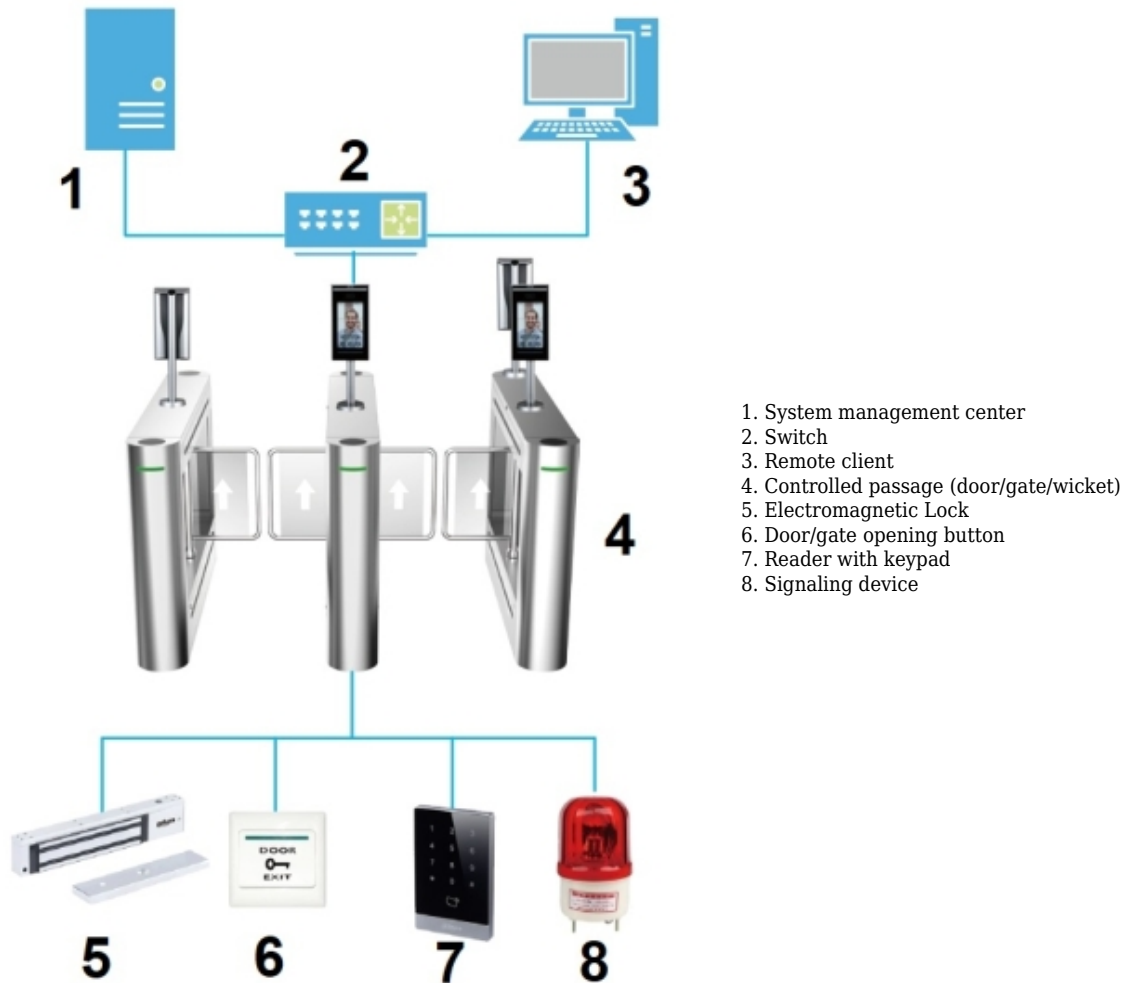
Rear view:



Dimensions:



Example of application:





DELTA-OPTI Monika Matysiak; <https://www.delta.poznan.pl>  
POL; 60-713 Poznań; Graniczna 10  
e-mail: [delta-opti@delta.poznan.pl](mailto:delta-opti@delta.poznan.pl); tel: +(48) 61 864 69 60