

Code: DH-SD52C430I-HC

AHD, HD-CVI, HD-TVI, PAL SPEED DOME CAMERA INDOOR **DH-SD52C430I-HC** - 4.0 Mpx 4.5 ... 135 mm DAHUA

Net: **705.26 USD** Gross: **867.47 USD**

Megapixel camera with 1/3" CMOS sensor and AHD / HD-CVI / HD-TVI / PAL.

The AHD / HD-CVI / HD-TVI interface allows to transmission of analog video signal via coaxial cable in 4.0 Mpx resolution. During transmission there are no delays and is maintained the original, high quality image.



SPECIFICATION

Standard:	AHD, HD-CVI, HD-TVI, PAL
Sensor:	1/3 " Progressive Scan CMOS
Matrix size:	4.0 Mpx
Resolution:	2592 x 1920 px - 4.0 Mpx - HD-CVI only , 1920 x 1080 px - 1080p 1280 x 720 px - 720p 960 x 576 px - 960H
Range of IR illumination:	—
Lens:	4.5 ... 135 mm
View angle:	• 60 ° ... 2.2 ° (manufacturer data) • 56 ° ... 2.9 ° (our tests result)
Optical zoom:	x 30
Digital zoom:	x 16
Rotation speed depending on ZOOM level:	✓
Horizontal rotation range:	360 ° continuous
Vertical rotation range:	0 ° ... 90 °
Rotation speed (manual control):	0.1 %/s ... 350 %/s (horizontal) , 0.1 %/s ... 250 %/s (vertical)
Preset rotation speed:	500 %/s (horizontal) 500 %/s (vertical)

DELTA-OPTI Monika Matysiak; <https://www.delta.poznan.pl>
POL; 60-713 Poznań; Graniczna 10
e-mail: delta-opti@delta.poznan.pl; tel: +(48) 61 864 69 60

PTZ control:	Via interface RS-485 The ability to control via coaxial cable from recorder
Protocols:	Pelco-D, Pelco-P, DH-SD (auto detection)
S/N ratio:	> 55 dB
Video output:	AHD / HD-CVI / HD-TVI / CVBS, 1 Vpp / 75 Ω
Audio:	External microphone input - HD-CVI only
Number of presets:	300
Route settings:	8
Horizontal scan:	✓
Park action:	Call the set function (tour, scan, etc.) after specified dwell time
Alarm inputs / outputs:	2 / 1
Main features:	<ul style="list-style-type: none"> • WDR - 120 dB - Wide Dynamic Range • 2D-DNR / 3D-DNR - Digital Noise Reduction • ICR - Movable InfraRed filter • BLC/HLC - Back Light / High Light Compensation • Auto White Balance • AGC - Automatic Gain Control • 24 Configurable Privacy Zones • Auto restore to previous PTZ and lens status after power failure • Human-oriented focal length and speed adaptation
OSD menu:	OSD menu available via DAHUA recorder
Power supply:	24 V AC / 1.5 A (power adapter included)
Power consumption:	≤ 13 W
Housing:	Speed Dome, Metal / Plastic
Color:	White
"Index of Protection":	IP66
Vandal-proof:	IK10
Operation temp:	-40 °C ... 70 °C
Weight:	2.40 kg
Dimensions:	Ø 198 x 177 mm
Supported languages:	English
Manufacturer / Brand:	DAHUA
Guarantee:	3 years

PRESENTATION

Camera view after remove the Dome cover:

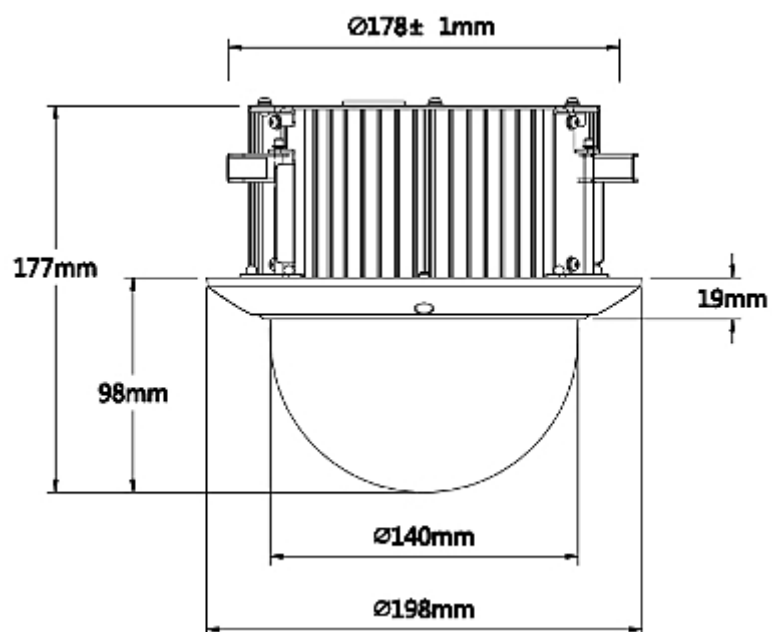


DELTA-OPTI Monika Matysiak; <https://www.delta.poznan.pl>
POL; 60-713 Poznań; Graniczna 10
e-mail: delta-opti@delta.poznan.pl; tel: +(48) 61 864 69 60

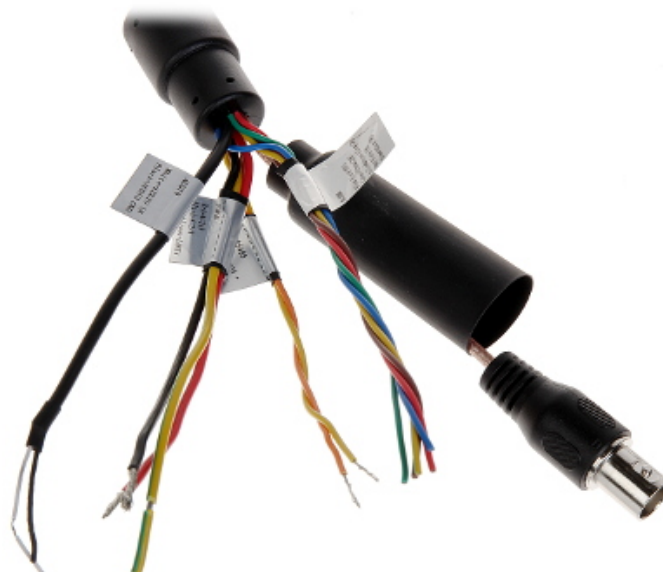
On the body, under the cover there are placed configuration switches:



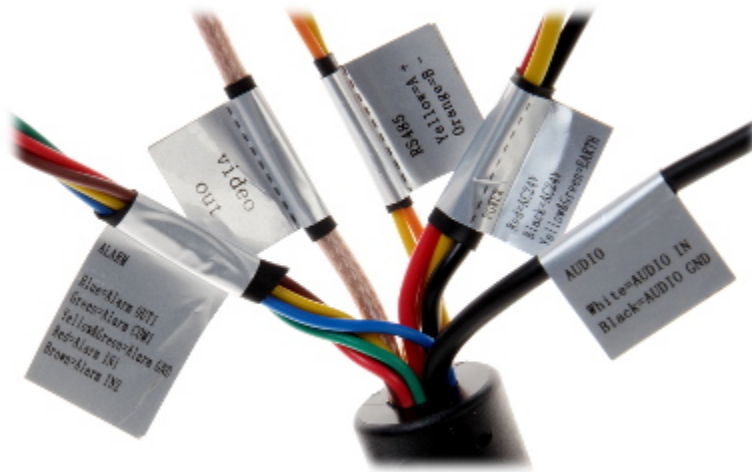
Camera dimensions:



Camera connectors:



Connectors description:



In the kit:



OUR TESTS

AHD:

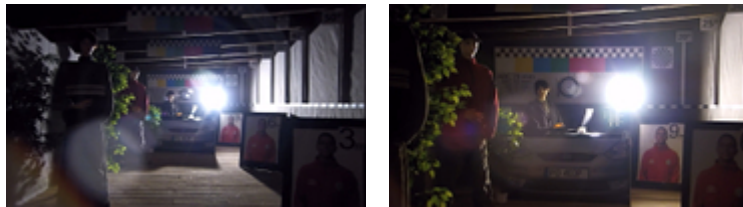
Camera image at artificial illumination (about 30Lux):



Camera image at night conditions with external IR illuminator on:



Camera image at direct strong light opposite to camera:



HD-CVI:

Camera image at artificial illumination (about 30Lux):



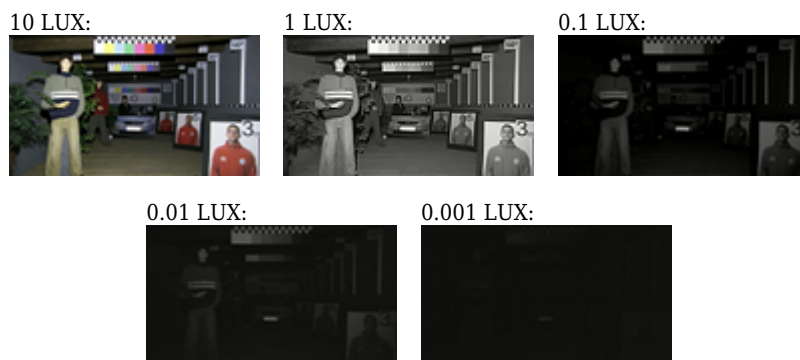
Camera image at night conditions with external IR illuminator on:



Camera image at direct strong light opposite to camera:



Camera image at night conditions, at different illumination values show below:



HD-TVI:

Camera image at artificial illumination (about 30Lux):



Camera image at night conditions with external IR illuminator on:



Camera image at direct strong light opposite to camera:

