

Code: DS-2AE5232T-A(C)

AHD, HD-CVI, HD-TVI, PAL SPEED DOME CAMERA OUTDOOR DS-2AE5232T-A - 1080p 4.8 ... 153 mm HIKVISION

Net: **821.51 USD** Gross: **1 010.46 USD**

Megapixel camera with 1/2.8" CMOS sensor and AHD / HD-CVI / HD-TVI / PAL.

The AHD / HD-CVI / HD-TVI interface allows to transmission of analog video signal via coaxial cable in max. 8 Mpx (4K UHD) resolution. It enables the transmission of HD resolution images for even 500 m distance with keeping the low costs of the installation. During transmission there are no delays and is maintained the original, high quality image.

In the case of video transmission using a twisted pair cable and matching transformers (balun), be aware of the possibility of signal reflections and interfering signals.

Camera is according to IP66 Index of Protection norm.



SPECIFICATION

Standard:	AHD, HD-CVI, HD-TVI, PAL
Sensor:	1/2.8 " Progressive Scan CMOS
Matrix size:	2.1 Mpx
Resolution:	AHD / HD-CVI / HD-TVI : 1920 x 1080 - 1080p CVBS : 960 x 576 - 960H
Range of IR illumination:	—
Lens:	4.8 ... 153 mm
View angle:	• 56 ° ... 2 ° (manufacturer data) • 55 ° ... 2.6 ° (our tests result)
Optical zoom:	x 32
Digital zoom:	x 16
Rotation speed depending on ZOOM level:	✓
Horizontal rotation range:	360 ° continuous
Vertical rotation range:	-15 ° ... 90 °
Rotation speed (manual control):	0.1 °/s ... 250 °/s (horizontal) , 0.1 °/s ... 150 °/s (vertical)

DELTA-OPTI Monika Matysiak / VAT:PL5251295225 / 60-713 Poznań, ul. Graniczna 10
Tel:+48 61 864 69 60 / GSM:+48 607 60 11 66 / Fax:+48 61 864 69 65 / e-mail:shop@delta.poznan.pl
Monday-Friday: 8.00-19.00 / Saturday: 8.00-14.00

Preset rotation speed:	250 °/s (horizontal) 150 °/s (vertical)
PTZ control:	Via interface RS-485 The ability to control via coaxial cable from recorder HIKVISION
Protocols:	Pelco-D, Pelco-P, HIKVISION (auto detection)
Video output:	1 Vpp / 75 Ω - AHD / HD-CVI / HD-TVI / CVBS, selectable by switch
Audio:	—
Number of presets:	256
Route settings:	5
Horizontal scan:	✓
Park action:	Call the set function (tour, scan, etc.) after specified dwell time
Alarm inputs / outputs:	2 / 1
Main features:	<ul style="list-style-type: none"> • Intelligent 3D Positioning System • 3D-DNR - Digital Noise Reduction • WDR - 120 dB - Wide Dynamic Range • EIS - Electronic Image Stabilization • F-DNR (Defog) - Reduction of image noise caused by precipitation • BLC/HLC - Back Light / High Light Compensation • ICR - Movable InfraRed filter • Auto White Balance • Configurable Privacy Zones
OSD menu:	OSD menu available via Hikvision HD-TVI recorder
Vandal-proof:	—
"Index of Protection":	IP66
Power supply:	24 V AC
Power consumption:	≤ 24 W
Housing:	Speed Dome, Metal
Color:	White
Operation temp:	-30 °C ... 65 °C
Weight:	2.86 kg
Dimensions:	Ø 220 x 326 mm
Supported languages:	English
Manufacturer / Brand:	HIKVISION
SAP Code:	301205089
Guarantee:	3 years

PRESENTATION

Bottom view:



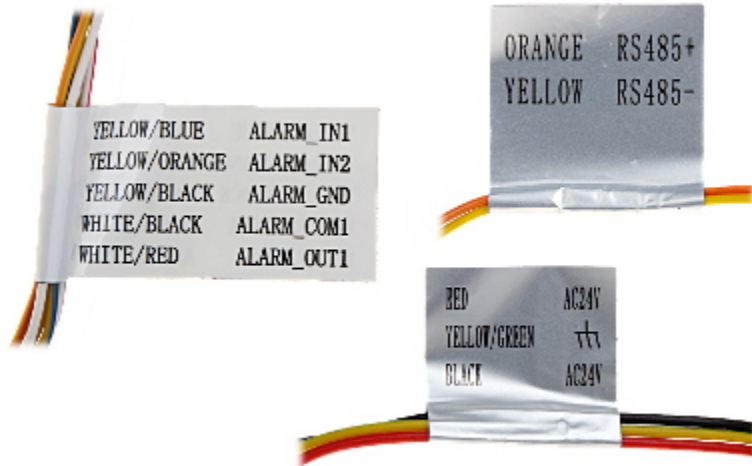
Standard changes are made using configuration switches:



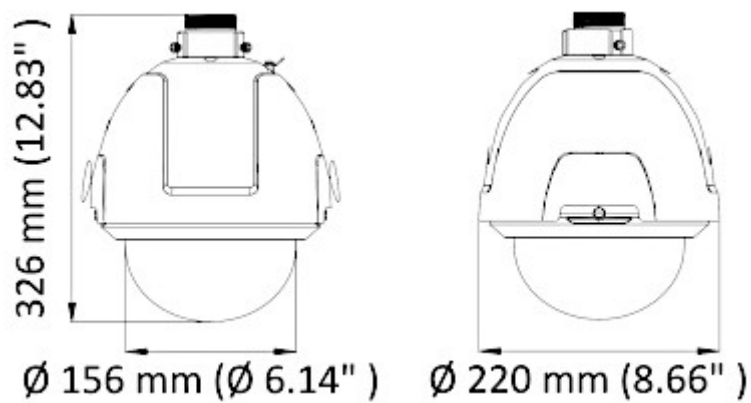
Connectors view:



Connectors description:



Camera dimensions:



In the kit:



OUR TESTS

HD-TVI:

Camera image at artificial illumination (about 30Lux):

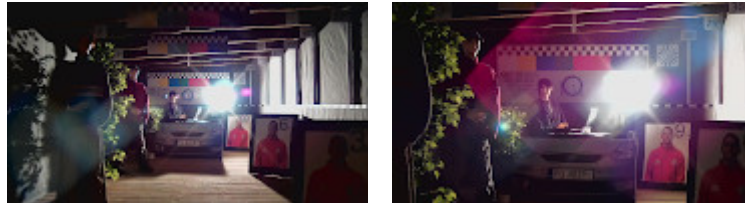


DELTA-OPTI Monika Matysiak / VAT:PL5251295225 / 60-713 Poznań, ul. Graniczna 10
Tel:+48 61 864 69 60 / GSM:+48 607 60 11 66 / Fax:+48 61 864 69 65 / e-mail:shop@delta.poznan.pl
Monday-Friday: 8.00-19.00 / Saturday: 8.00-14.00

Camera image at night conditions with external IR illuminator on:



Camera image at direct strong light opposite to camera:



Camera image at night conditions, at different illumination values show below:



PACKAGE

Dimensions (L x W x H): 470x315x315 mm	Gross Weight: 5.62 kg
--	-----------------------