

Code: DS-2AE7232TI-A(D)

AHD, HD-CVI, HD-TVI, CVBS SPEED DOME CAMERA OUTDOOR DS-2AE7232TI-A(D) - 1080p 4.8 ... 153 mm Hikvision

Net: 4 208.00 PLN Gross: 5 175.84 PLN


Megapixel camera with 1/2.8" CMOS sensor and AHD / HD-CVI / HD-TVI / PAL.

The AHD / HD-CVI / HD-TVI interface allows to transmission of analog video signal via coaxial cable in 1080p resolution. During transmission there are no delays and is maintained the original, high quality image.

In the case of video transmission using a twisted pair cable and matching transformers (balun), be aware of the possibility of signal reflections and interfering signals. Camera is according to IP66 Index of Protection norm.



SPECIFICATION

Standard:	AHD, HD-CVI, HD-TVI, CVBS
Sensor:	1/2.8 " Progressive Scan CMOS
Matrix size:	2.1 Mpx
Resolution:	1920 x 1080 - 1080p 960 x 576 - 960H
Range of IR illumination:	150 m
Lens:	4.8 ... 153 mm
View angle:	• 54 ° ... 2 ° (manufacturer data) • 54 ° ... 2.5 ° (our tests result)
Optical zoom:	x 32
Digital zoom:	x 16
Rotation speed depending on ZOOM level:	
Horizontal rotation range:	360 ° continuous
Vertical rotation range:	-15 ° ... 90 °
Rotation speed (manual control):	0.1 °/s ... 160 °/s (horizontal) , 0.1 °/s ... 120 °/s (vertical)
Preset rotation speed:	160 °/s (horizontal) 120 °/s (vertical)

DELTA-OPTI Monika Matysiak; <https://www.delta.poznan.pl>
POL; 60-713 Poznań; Graniczna 10
e-mail: delta-opti@delta.poznan.pl; tel: +(48) 61 864 69 60

PTZ control:	Via interface RS-485 The ability to control via coaxial cable from recorder HIKVISION
Protocols:	Pelco-D, Pelco-P (auto detection)
Video output:	1 Vpp / 75 Ω - AHD / HD-CVI / HD-TVI / CVBS
Audio:	<input type="checkbox"/>
Number of presets:	256
Route settings:	10
Horizontal scan:	<input type="checkbox"/>
Park action:	Call the set function (tour, scan, etc.) after specified dwell time
Alarm inputs / outputs:	<input type="checkbox"/>
Main features:	<ul style="list-style-type: none"> • Intelligent 3D Positioning System • WDR ≥ 120 dB - Wide Dynamic Range • 3D-DNR - Digital Noise Reduction • EIS - Electronic Image Stabilization • IR illuminator optimization • BLC/HLC - Back Light / High Light Compensation • AGC - Automatic Gain Control • ICR - Movable InfraRed filter • Auto White Balance • Configurable Privacy Zones
OSD menu:	OSD menu available via Hikvision HD-TVI recorder
Vandal-proof:	<input type="checkbox"/>
"Index of Protection":	IP66
Power supply:	24 V AC
Power consumption:	≤ 40 W
Housing:	Speed Dome, Metal
Color:	White
Operation temp:	-30 °C ... 65 °C
Weight:	4.5 kg
Dimensions:	Ø 220 x 353 mm
Supported languages:	Polish, English
Manufacturer / Brand:	Hikvision
SAP Code:	301205314
Guarantee:	3 years

PRESENTATION

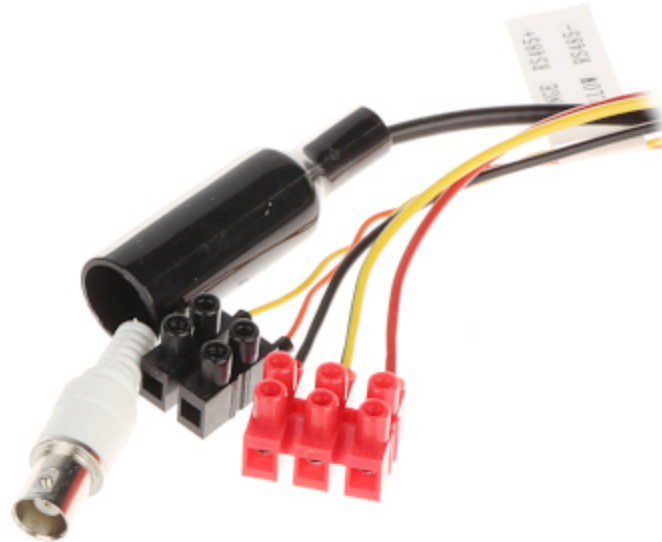
Bottom view:



On the body, under the cover there are placed configuration switches:



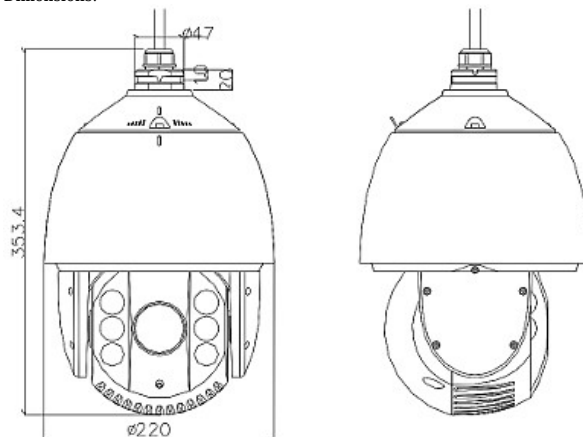
Camera connectors:



Connectors description:



Dimensions:



In the kit:



OUR TESTS

AHD:

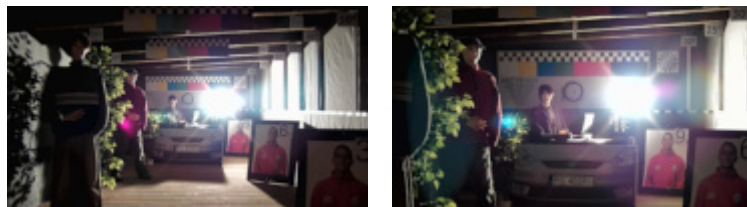
Camera image at artificial illumination (about 30Lux):



Camera image at night conditions with external IR illuminator on:



Camera image at direct strong light opposite to camera:



HD-CVI:

Camera image at artificial illumination (about 30Lux):



Camera image at night conditions with external IR illuminator on:



Camera image at direct strong light opposite to camera:



HD-TVI:

Camera image at artificial illumination (about 30Lux):



Camera image at night conditions with external IR illuminator on:



Camera image at direct strong light opposite to camera:

