

Code: DS-1605ZJ

## CAMERA BRACKET **DS-1605ZJ** Hikvision

Net: **38.19 EUR** Gross: **46.97 EUR**



For outdoor use.

### SPECIFICATION

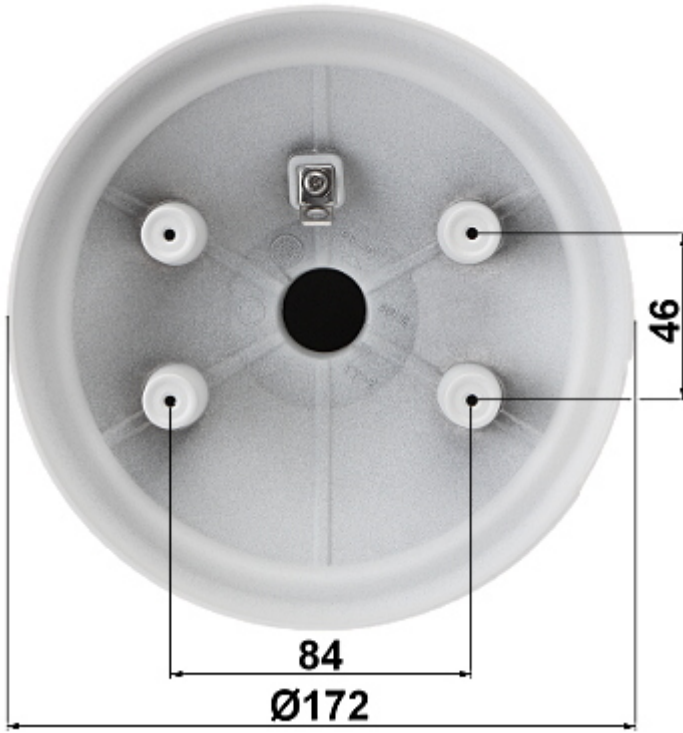
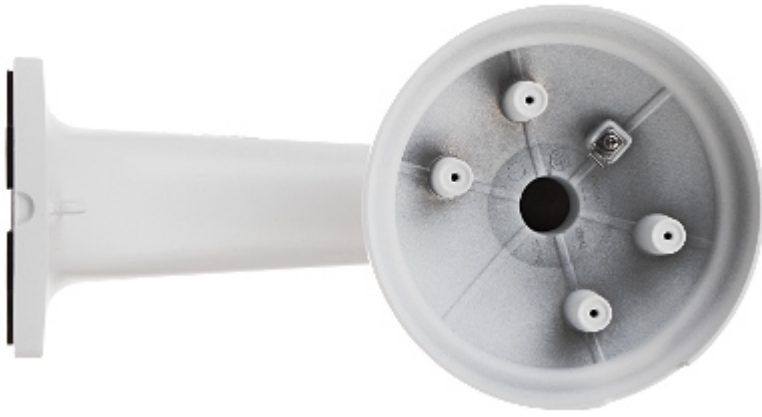
Mounting holes distance:	84 x 46 mm
Number of holes:	4
Neck diameter:	Ø 172 mm
Suitable for cameras:	Hikvision
Material:	Aluminum
Color:	White
Weight:	1.10 kg
Dimensions:	315 x 184 x 172 mm
Manufacturer / Brand:	Hikvision
SAP Code:	302701458
Guarantee:	<b>3 years</b>

### PRESENTATION

Camera mounting side view:



DELTA-OPTI Monika Matysiak; <https://www.delta.poznan.pl>  
POL; 60-713 Poznań; Graniczna 10  
e-mail: delta-opti@delta.poznan.pl; tel: +(48) 61 864 69 60



Wall mounting side view:

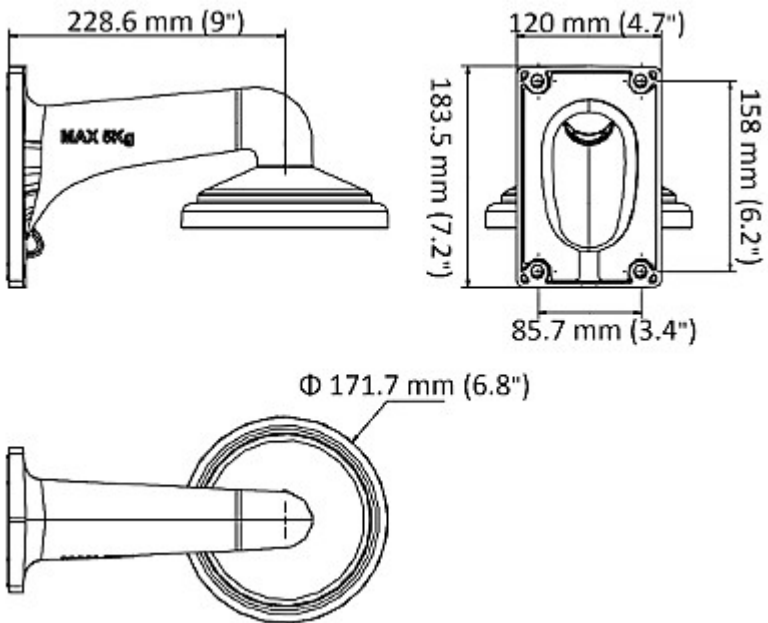




Side view:



Dimensions:



In the kit:

