

Code: PFB211W

DOME CAMERA BRACKET **PFB211W** DAHUA

Net: **46.18 EUR** Gross: **46.18 EUR**

Wall bracket. Designed to dome cameras.

It can be used to vandal-proof cameras installation. It has very useful advantage, possibility to hide camera cables and connectors.



SPECIFICATION

Suitable for cameras:	DAHUA - documentation for download below.
Material:	Aluminum
Color:	White
Weight:	0.99 kg
Dimensions:	235 x 180 x 84 mm
Manufacturer / Brand:	DAHUA
Guarantee:	3 years

PRESENTATION

Camera mounting side view:

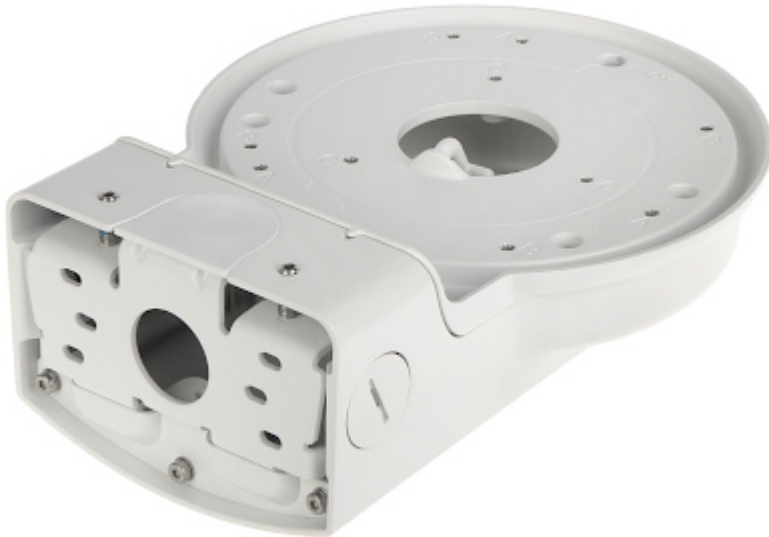


DELTA-OPTI Monika Matysiak; <https://www.delta.poznan.pl>
POL; 60-713 Poznań; Graniczna 10
e-mail: delta-opti@delta.poznan.pl; tel: +(48) 61 864 69 60

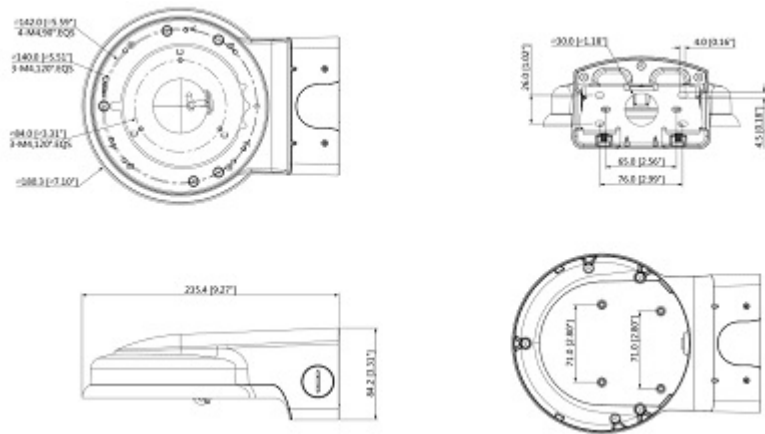
Side view:

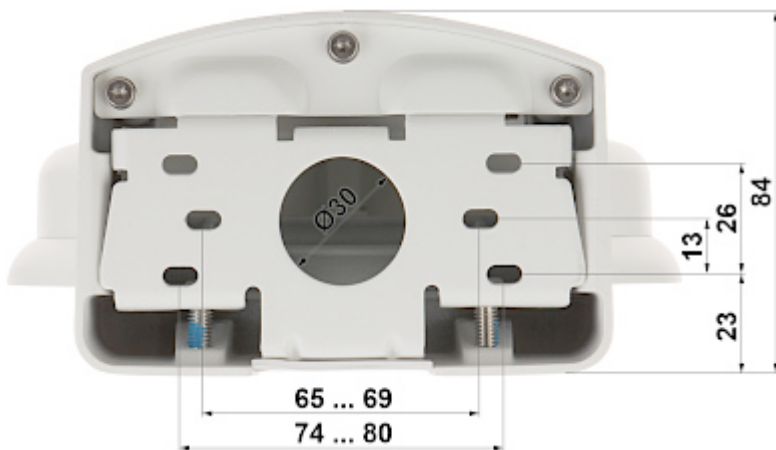
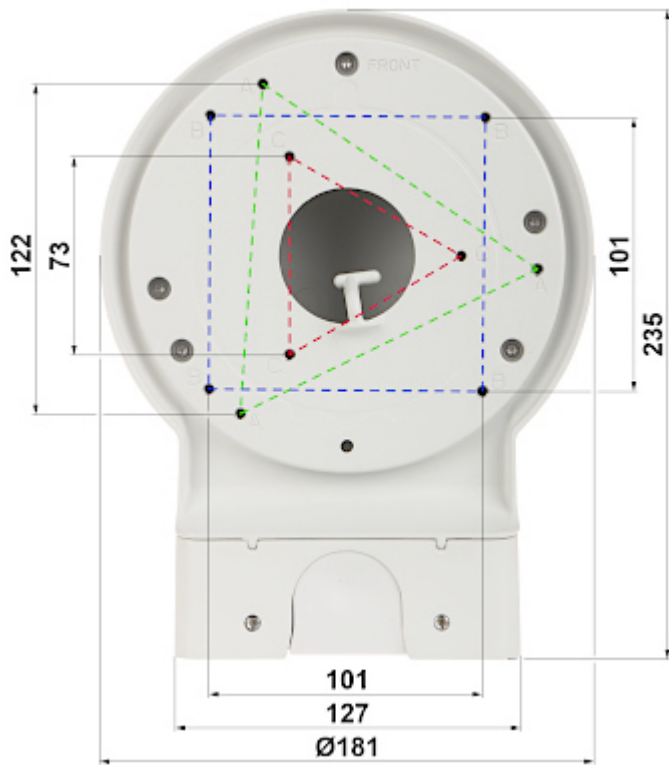


Wall mounting side view:



Dimensions:





Internal view:



In the kit:



DELTA-OPTI Monika Matysiak; <https://www.delta.poznan.pl>
 POL; 60-713 Poznań; Graniczna 10
 e-mail: delta-opti@delta.poznan.pl; tel: +(48) 61 864 69 60

PACKAGE

Dimensions (L x W x H): 0x0x0 mm	Gross Weight: 0 kg
----------------------------------	--------------------

