

Code: BCS-UD1

DOME CAMERA BRACKET **BCS-UD1**

Net: **17.10 EUR** Gross: **21.03 EUR**



Wall bracket. Designed to dome cameras.
It can be used to vandal-proof cameras installation. It has very useful advantage, possibility to hide camera cables and connectors.

SPECIFICATION

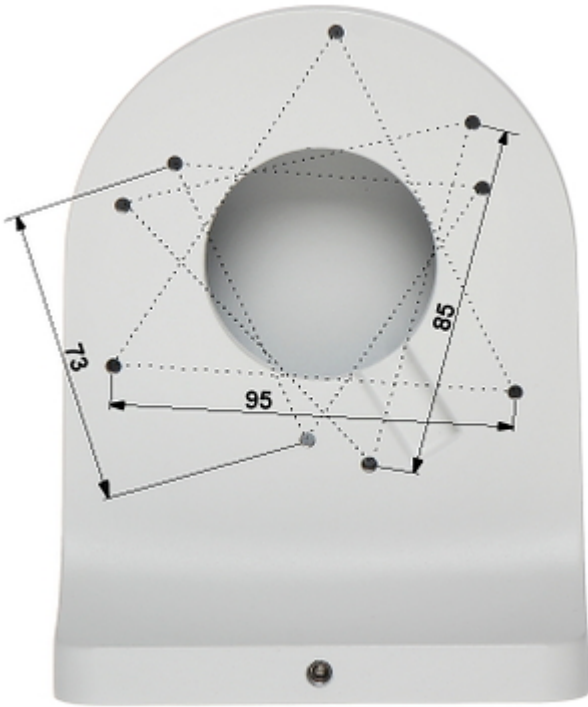
Suitable for cameras:	BCS-DMIP1130AIR, BCS-DMIP1300AIR, BCS-DMIP1300A, BCS-DMIP1130, BCS-DMIP1200A, BCS-DMIP1200AM, BCS-DMIP2300AIR-B
Material:	Aluminum / Plastic
Color:	White
Weight:	0.36 kg
Dimensions:	120 x 160 x 74 mm
Manufacturer / Brand:	BCS
Guarantee:	3 years

PRESENTATION

Internal view:



DELTA-OPTI Monika Matysiak; <https://www.delta.poznan.pl>
POL; 60-713 Poznań; Graniczna 10
e-mail: delta-opti@delta.poznan.pl; tel: +(48) 61 864 69 60



Camera mounting side view:

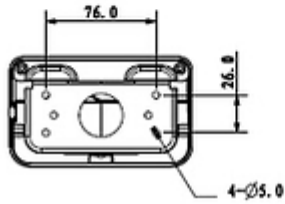
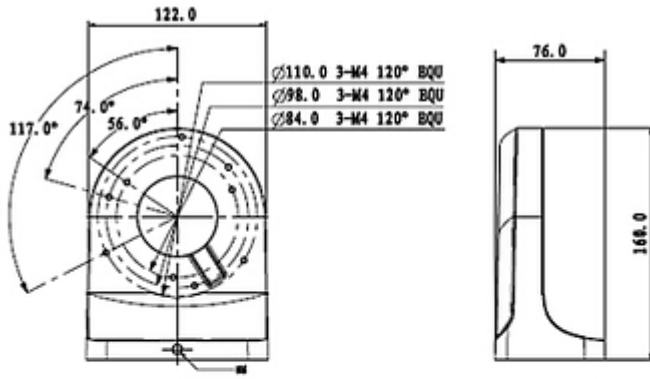


Side view:



Top view:





Dimensions:



In the kit:

