

Code: BCS-V-AS

POLE MOUNT **BCS-V-AS** BCS View

Net: **53.77 EUR** Gross: **53.77 EUR**



Mount designed to camera installation on a pole.

SPECIFICATION

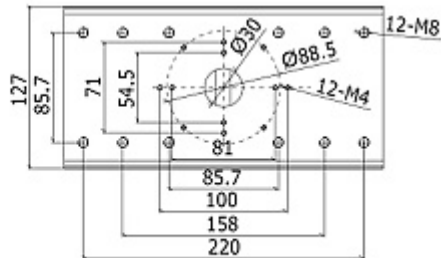
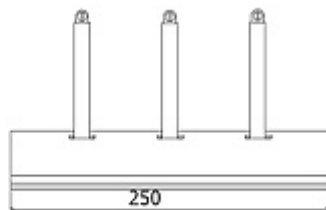
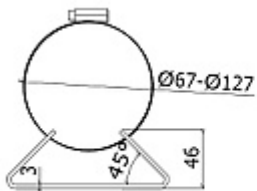
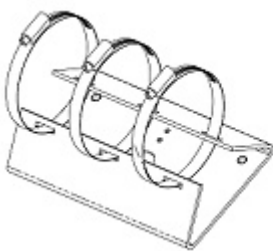
Suitable for cameras:	BCS View
Pole diameters range:	Ø 67 ... Ø 127 mm
Material:	Stainless steel
Color:	White
Weight:	1.5 kg
Dimensions:	127 x 250 x 46 mm
Manufacturer / Brand:	BCS View
Guarantee:	3 years

PRESENTATION

Camera mounting side view:



Mounting dimensions:

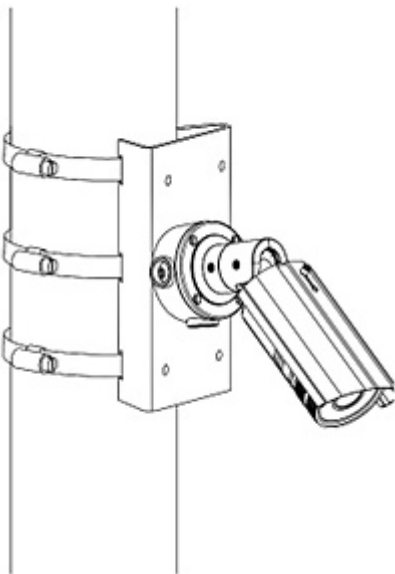


Mounting side view:





Example of application:



In the kit:



PACKAGE

Dimensions (L x W x H): 0x0x0 mm	Gross Weight: 0 kg
----------------------------------	--------------------

