

Code: DS-1662ZJ

## CAMERA CEILING BRACKET **DS-1662ZJ** Hikvision

Net: **36.50 EUR** Gross: **44.90 EUR**



Ceiling bracket for cameras. Bracket has cable entry.

### SPECIFICATION

Neck diameter:	Ø 47.4 mm
Suitable for cameras:	Hikvision - Speed Dome
Material:	Aluminum
Color:	White
Distance from mounting surface:	500 mm
Weight:	1.3 kg
Dimensions:	Ø 116.5 x 500 mm
Manufacturer / Brand:	Hikvision
SAP Code:	302700180
Guarantee:	<b>3 years</b>

### PRESENTATION

View of the ceiling mounting side:



DELTA-OPTI Monika Matysiak; <https://www.delta.poznan.pl>  
POL; 60-713 Poznań; Graniczna 10  
e-mail: [delta-opti@delta.poznan.pl](mailto:delta-opti@delta.poznan.pl); tel: +(48) 61 864 69 60

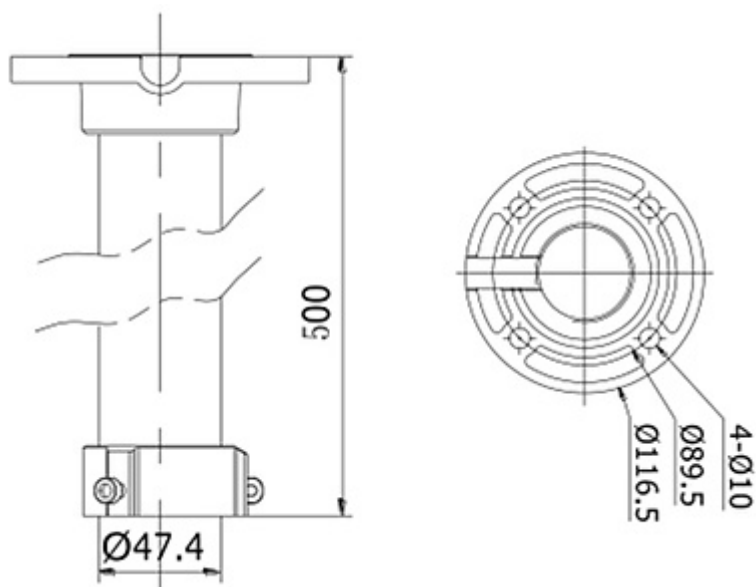
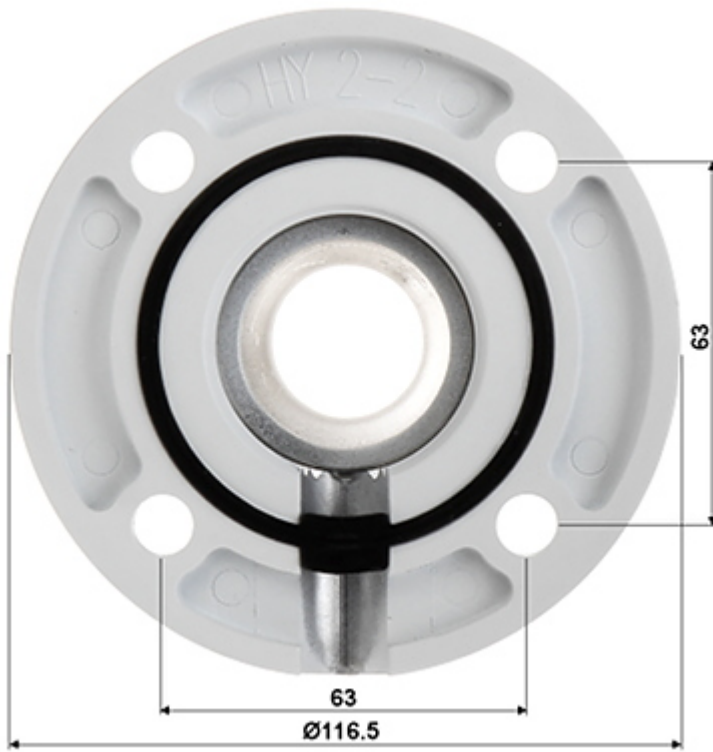


Camera mounting side view:



Dimensions:





In the kit:



**PACKAGE**

Dimensions (L x W x H): 0x0x0 mm	Gross Weight: 0 kg
----------------------------------	--------------------