

Code: PFA105

CAMERA BRACKET **PFA105** DAHUA

Net: **12.25 EUR** Gross: **15.07 EUR**

Ceiling bracket for cameras. Designed to FishEye Dahua cameras.
It can be used to vandal-proof cameras installation.



SPECIFICATION

Mounting holes distance:	114 mm
Number of holes:	3
Neck diameter:	Ø 156 mm
Suitable for cameras:	DAHUA - documentation for download below.
Material:	Aluminum
Color:	White
Weight:	0.276 kg
Dimensions:	Ø 156 x 81 mm
Manufacturer / Brand:	DAHUA
Guarantee:	3 years

PRESENTATION

Side view:

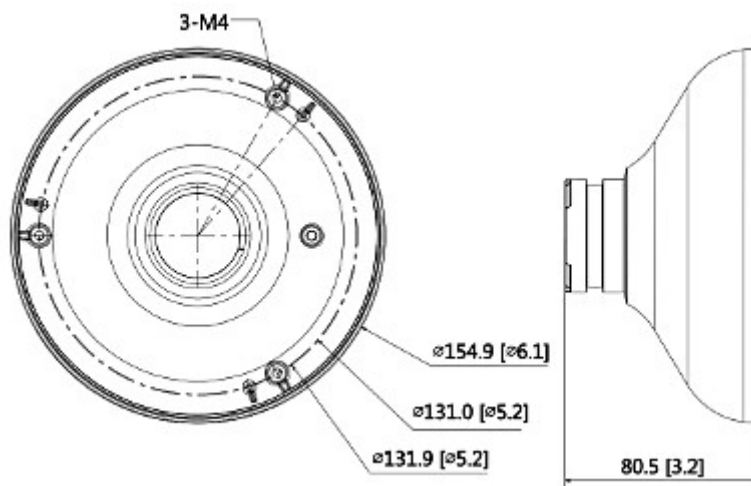


DELTA-OPTI Monika Matysiak; <https://www.delta.poznan.pl>
POL; 60-713 Poznań; Graniczna 10
e-mail: delta-opti@delta.poznan.pl; tel: +(48) 61 864 69 60

Top view:



Dimensions:



Camera mounting side view:





DELTA-OPTI Monika Matysiak; <https://www.delta.poznan.pl>
POL; 60-713 Poznań; Graniczna 10
e-mail: delta-opti@delta.poznan.pl; tel: +(48) 61 864 69 60