

Code: PFA106

CAMERA BRACKET **PFA106** DAHUA

Net: **58.00 PLN** Gross: **71.34 PLN**



Ceiling bracket for cameras.
It can be used to vandal-proof cameras installation.

SPECIFICATION

Neck diameter:	Ø 135 mm
Suitable for cameras:	DAHUA - documentation for download below.
Material:	Aluminum
Color:	White
Weight:	0.290 kg
Dimensions:	Ø 135 x 84 mm
Manufacturer / Brand:	DAHUA
Guarantee:	3 years

PRESENTATION



DELTA-OPTI Monika Matysiak; <https://www.delta.poznan.pl>
POL; 60-713 Poznań; Graniczna 10
e-mail: delta-opti@delta.poznan.pl; tel: +(48) 61 864 69 60

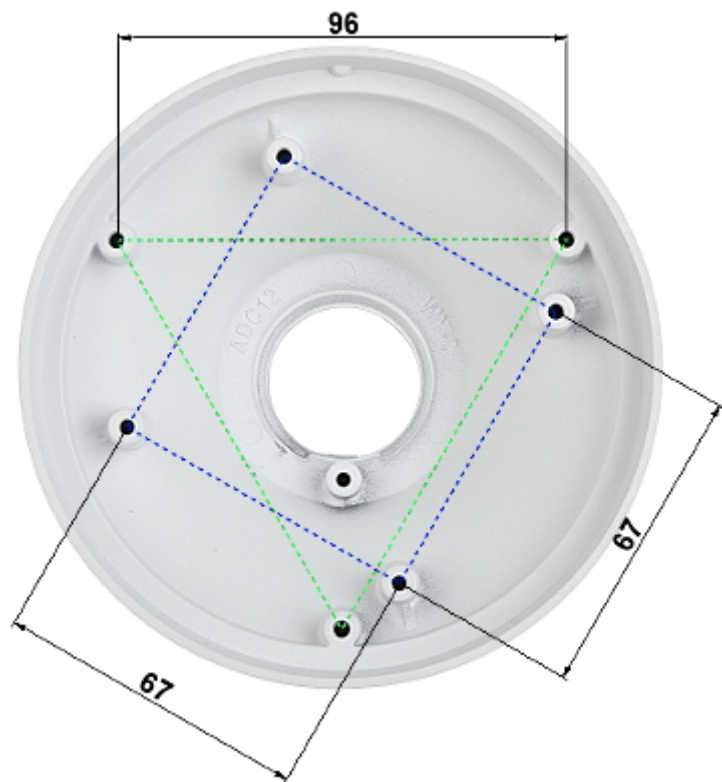
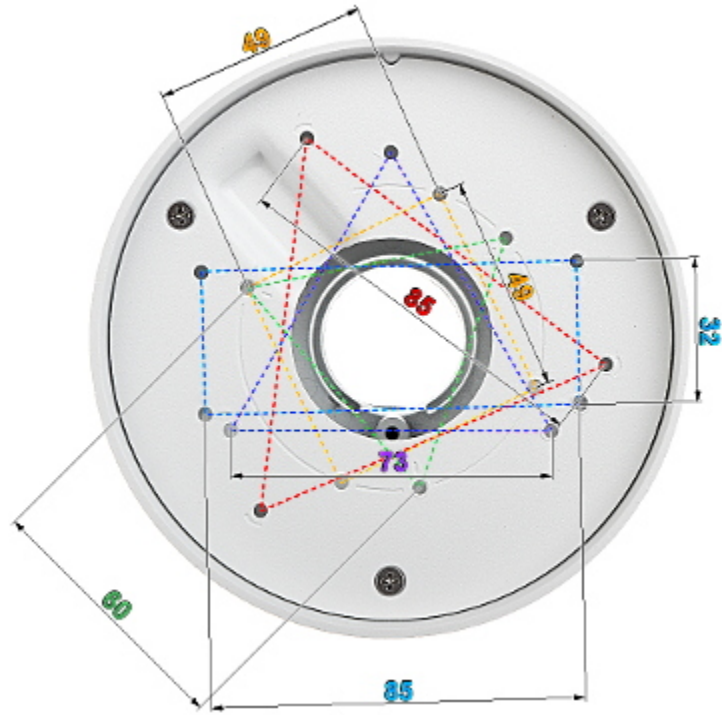
Camera mounting side view:

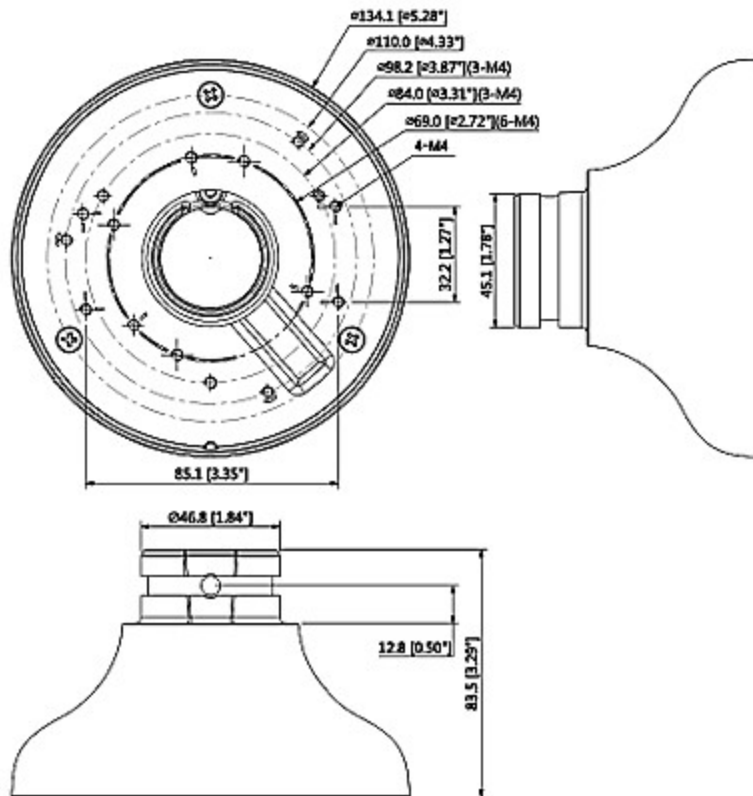


Top view:



Dimensions:





In the kit:

