

Code: DS-2CE16F7T-IT3(2.8mm)

HD-TVI CAMERA **DS-2CE16F7T-IT3(2.8mm)** - 3.0 Mpx Hikvision

Net: **129.60 USD** Gross: **159.41 USD**

Megapixel camera with Progressive Scan CMOS sensor and HD-TVI (High Definition Transport Video Interface).

The HD-TVI interface allows to transmission of analog video signal via coaxial cable at resolutions up to 3 Mpx. It enables the transmission of HD resolution images for even 500 m distance with keeping the low costs of the installation. During transmission there are no delays and is maintained the original, high quality image.

The 3-Axis integrated camera bracket has a regulation in all three planes, which allows to turn the camera to any direction. Camera is according to IP66 Index of Protection norm.



SPECIFICATION

| | |
|----------------------------------|----------------------------------------------------------------------------------------------------------------------------------------------------------------------------------------------------------------------------------------------------------------------------------------------------------------------------------------------------------------------------------------------------------------------------------------------------------------------------------|
| Standard: | HD-TVI |
| Sensor: | Progressive Scan CMOS |
| Matrix size: | 3.0 Mpx |
| Resolution: | 1920 x 1536 - 3.0 Mpx , 1920 x 1080 - 1080p |
| Range of IR illumination: | 40 m |
| IR illuminator power adjustment: | Automatic |
| Lens: | 2.8 mm |
| View angle: | • 84 ° (manufacturer data) • 80 ° (our tests result) |
| S/N ratio: | > 62 dB |
| Video output: | 1 Vpp / 75 Ω - HD-TVI, BNC socket |
| Main features: | <ul style="list-style-type: none">• WDR - 120 dB - Wide Dynamic Range• DNR - Digital Noise Reduction• EXIR - high-efficiency infrared LEDs technology, which evenly covers the whole plan of both central vantage points of the scene as well as the corners• ICR - Movable InfraRed filter• Mirror - Mirror image• BLC - Back Light Compensation• AGC - Automatic Gain Control• Auto White Balance |
| OSD menu: | OSD menu available via Hikvision HD-TVI recorder |
| "Index of Protection": | IP66 |
| Power supply: | 12 V DC / 420 mA |
| Power consumption: | ≤ 5 W |

DELTA-OPTI Monika Matysiak; <https://www.delta.poznan.pl>
POL; 60-713 Poznań; Graniczna 10
e-mail: delta-opti@delta.poznan.pl; tel: +(48) 61 864 69 60

| | |
|-----------------------|------------------|
| Housing: | Compact, Metal |
| Color: | White / Black |
| Operation temp: | -40 °C ... 60 °C |
| Weight: | 0.57 kg |
| Dimensions: | 226 x 87 x 82 mm |
| Supported languages: | English |
| Manufacturer / Brand: | Hikvision |
| SAP Code: | 300506312 |
| Guarantee: | 3 years |

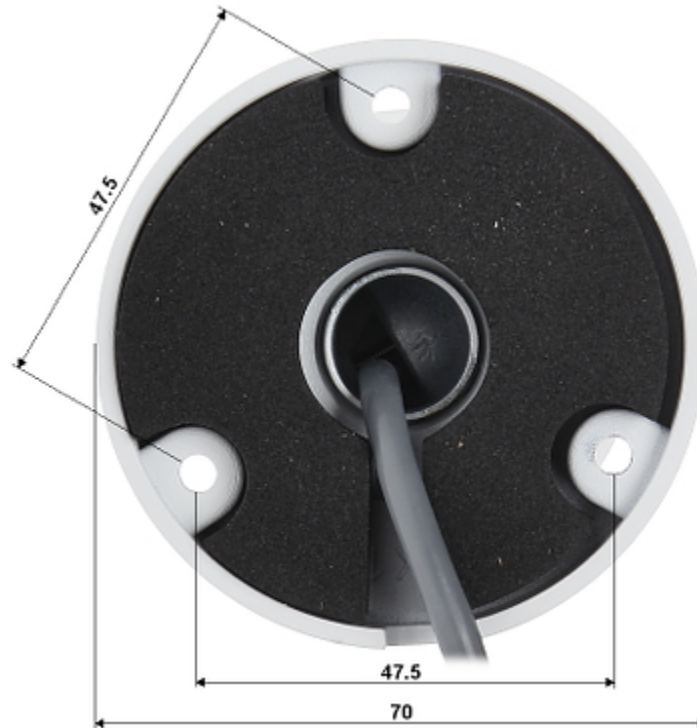
PRESENTATION



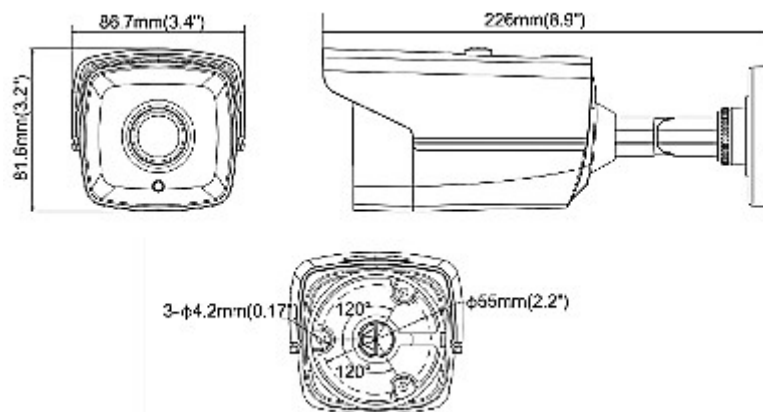
Side view:



Camera dimensions:



Mounting side view:



In the kit:



OUR TESTS

Camera image at artificial illumination (about 30Lux):



Camera image at night conditions with internal built-in IR illuminator on:



Camera image at direct strong light opposite to camera:

