

Code: SMART-CITY

DIRECTIONAL ANTENNA **SMART-CITY**

Net: 20.90 EUR Gross: 25.71 EUR



SPECIFICATION

| | |
|---------------------|--|
| Receiving channels: | 21 ... 48 |
| Gain : | <ul style="list-style-type: none">• 5 ... 10 dBi - passive mode - no power,• 22.5 ... 27 dB - active mode - DC 12V power supply (power adapter not included) |
| Polarization: | Horizontal / Vertical |
| Impedance: | 75 Ω |
| Main features: | <ul style="list-style-type: none">• Number of elements : 17,• Built-in LTE filter,• Built-in antenna amplifier with a bypass - operation in passive or active mode,• The main bar of the antenna is divided - possible mounting in a compact version,• The design of the antenna enables simple, quick assembly without the use of tools |
| Dimensions: | 1040 x 355 x 405 mm |
| Guarantee: | 2 years |

PRESENTATION

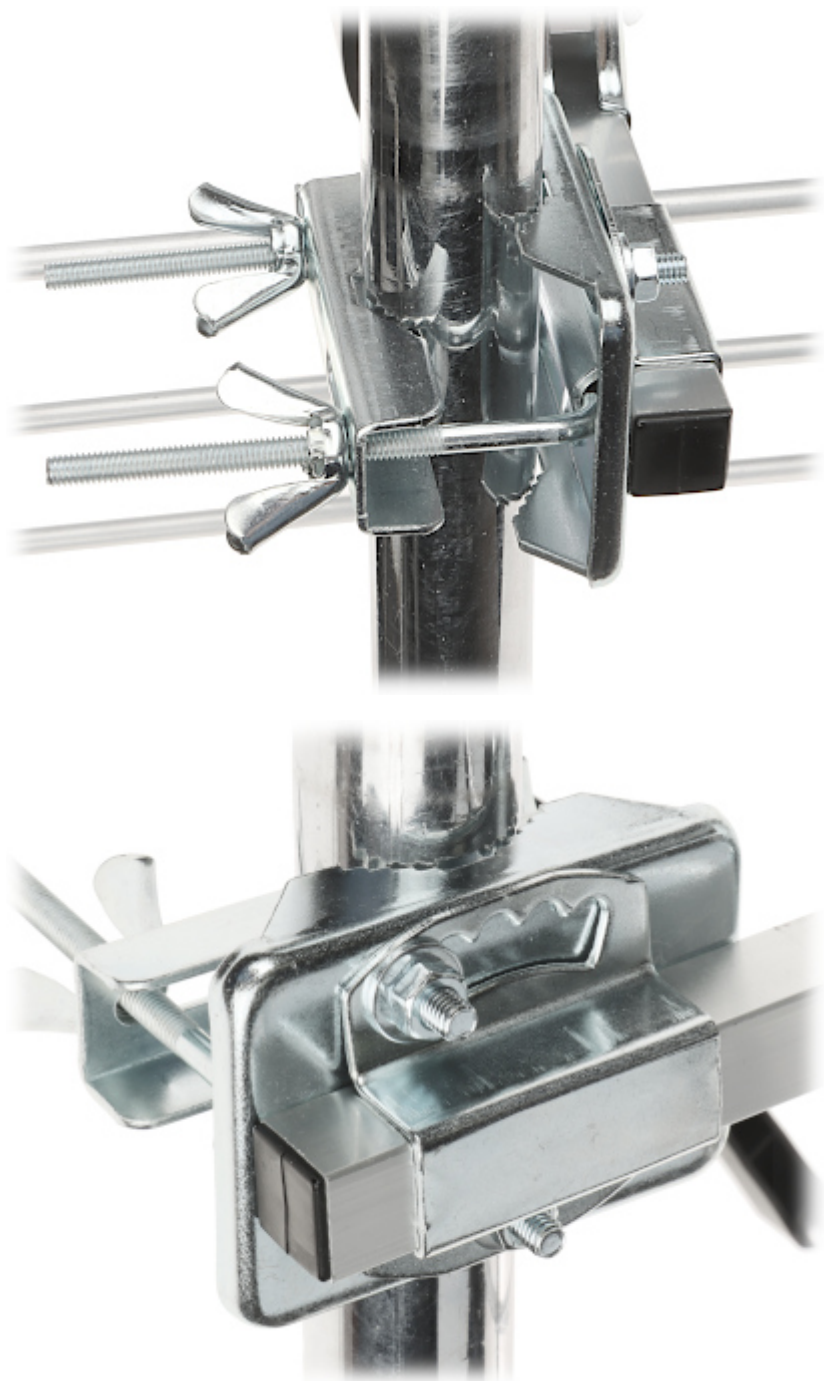
The antenna is installed in the compact version:



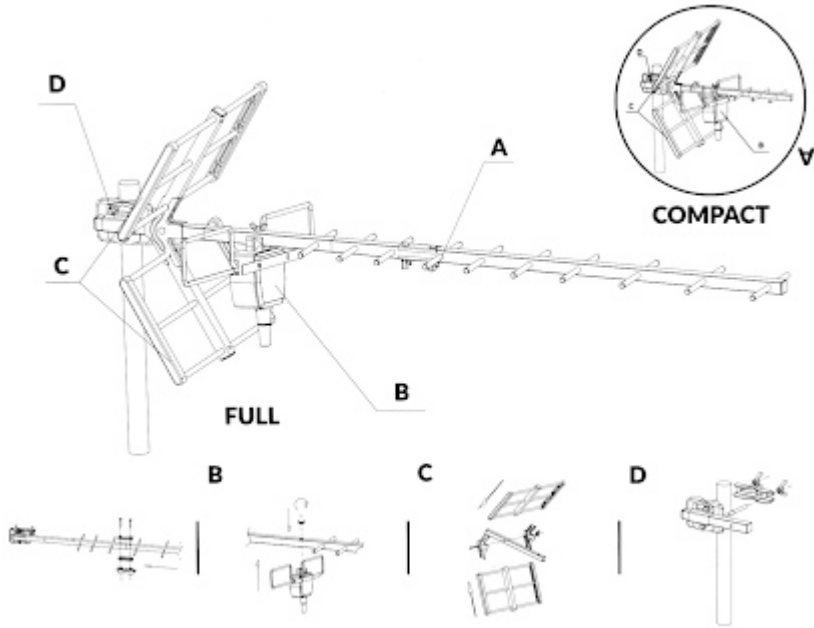
Antenna connector (bottom view):



Mast mounting diameter:



The correct order of assembly:



In the kit:



PACKAGE

| | |
|----------------------------------|--------------------|
| Dimensions (L x W x H): 0x0x0 mm | Gross Weight: 0 kg |
|----------------------------------|--------------------|