

Code: PFA132

## CAMERA BRACKET **PFA132** DAHUA

Net: **21.32 EUR** Gross: **21.32 EUR**

Ceiling bracket for cameras. Designed to dome cameras. It can be used to vandal-proof cameras installation. It has very useful advantage, possibility to hide camera cables and connectors.



### SPECIFICATION

Mounting holes distance:	114 mm
Number of holes:	3
Neck diameter:	Ø 155 mm
Suitable for cameras:	DAHUA - documentation for download below.
Material:	Aluminum
Color:	White
Distance from mounting surface:	39 mm
Weight:	0.446 kg
Dimensions:	155 x 155 x 39 mm
Manufacturer / Brand:	DAHUA
Guarantee:	<b>3 years</b>

### PRESENTATION

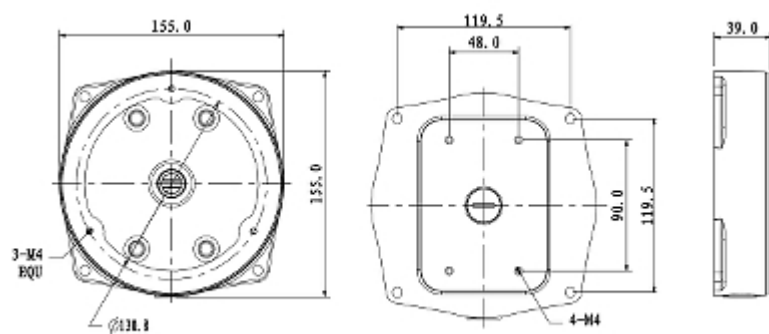
Camera mounting side view:



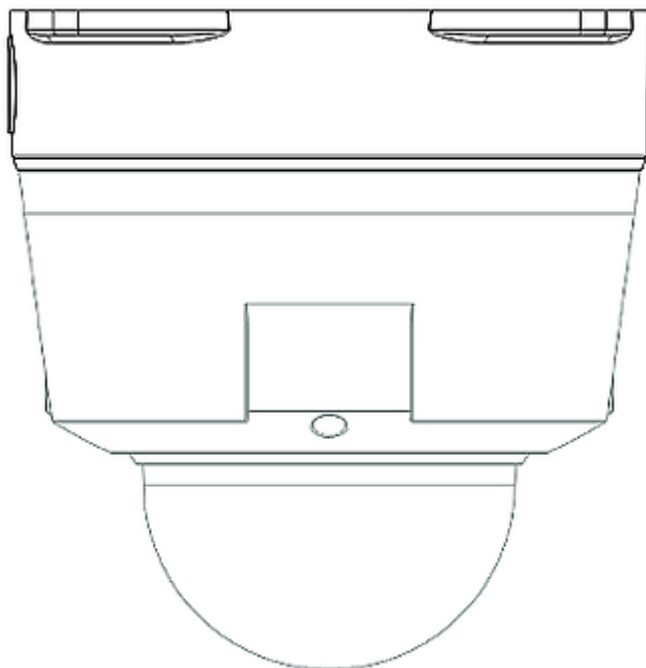
Wall mounting side view:



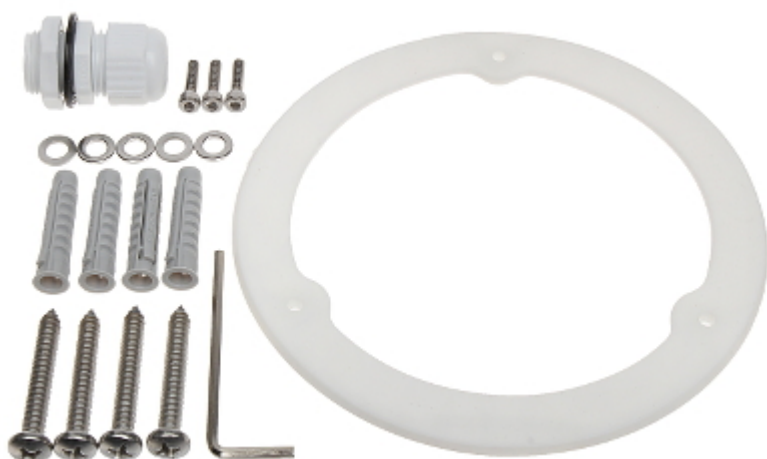
Dimensions:



Example of application:



In the kit:



**PACKAGE**

Dimensions (L x W x H): 0x0x0 mm	Gross Weight: 0 kg
----------------------------------	--------------------