

Code: BCS-AT5V

CAMERA BRACKET **BCS-AT5V**

Net: **8.34 EUR** Gross: **10.26 EUR**

Ceiling bracket for cameras. Designed to dome cameras. It can be used to vandal-proof cameras installation. It has very useful advantage, possibility to hide camera cables and connectors.



SPECIFICATION

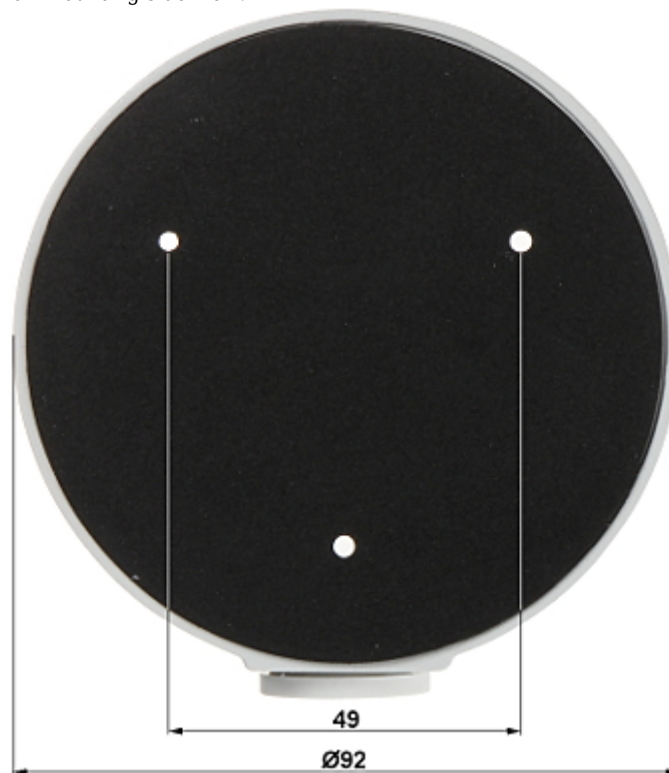
Neck diameter:	Ø 94 mm
Suitable for cameras:	BCS, DAHUA
Material:	Aluminum
Color:	White
Distance from mounting surface:	33.7 mm
Weight:	0.15 kg
Dimensions:	Ø 94.3 x 34 mm
Manufacturer / Brand:	BCS
Guarantee:	3 years

PRESENTATION

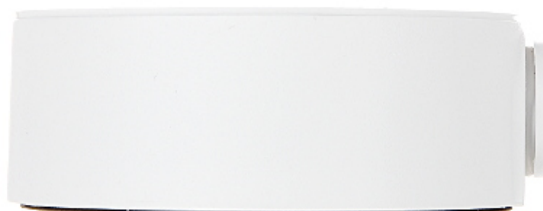
Camera mounting side view:



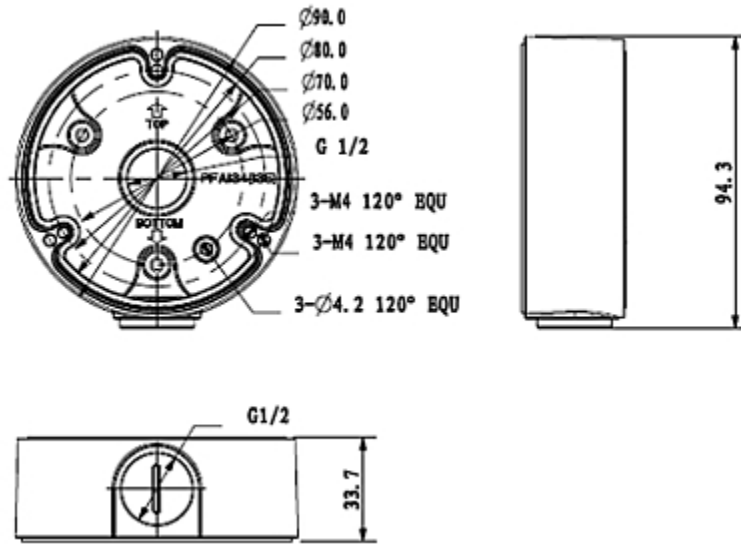
Wall mounting side view:



Side view:



Dimensions:



In the kit:

