

Code: PFA122-V2

CAMERA BRACKET **PFA122-V2** DAHUA

Net: **36.88 EUR** Gross: **36.88 EUR**



For outdoor use.

SPECIFICATION

Suitable for cameras:	DAHUA - documentation for download below.
Material:	Aluminum
Color:	White
Distance from mounting surface:	53 mm
Weight:	0.6 kg
Dimensions:	136 x 134 x 55 mm
Manufacturer / Brand:	DAHUA
Substitute:	BCS-AT356
Guarantee:	3 years

PRESENTATION

Bracket with mounted camera:



Camera mounting side view:



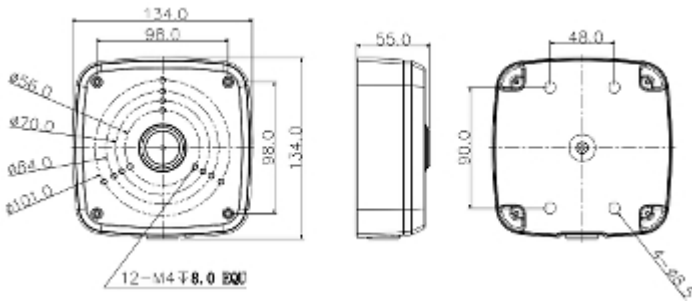
View of the ceiling mounting side:



Internal view:



Bracket dimensions:



In the kit:



PACKAGE

Dimensions (L x W x H): 0x0x0 mm	Gross Weight: 0 kg
----------------------------------	--------------------

DELTA-OPTI Monika Matysiak; <https://www.delta.poznan.pl>
POL; 60-713 Poznań; Graniczna 10
e-mail: delta-opti@delta.poznan.pl; tel: +(48) 61 864 69 60



DELTA-OPTI Monika Matysiak; <https://www.delta.poznan.pl>
POL; 60-713 Poznań; Graniczna 10
e-mail: delta-opti@delta.poznan.pl; tel: +(48) 61 864 69 60