

Code: PFA13F

## CAMERA BRACKET **PFA13F** DAHUA

Net: **33.36 EUR** Gross: **41.03 EUR**

Ceiling bracket for cameras.  
It can be used to vandal-proof cameras installation. It has very useful advantage, possibility to hide camera cables and connectors.



### SPECIFICATION

Neck diameter:	Ø 161 mm
Suitable for cameras:	DAHUA - documentation for download below.
Material:	Aluminum
Color:	White
Distance from mounting surface:	42 mm
Weight:	0.79 kg
Dimensions:	163 x 163 x 45 mm
Manufacturer / Brand:	DAHUA
Guarantee:	<b>3 years</b>

### PRESENTATION

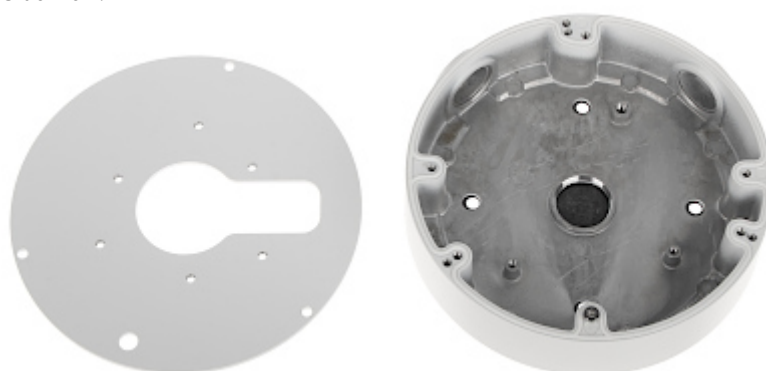
Camera mounting side view:



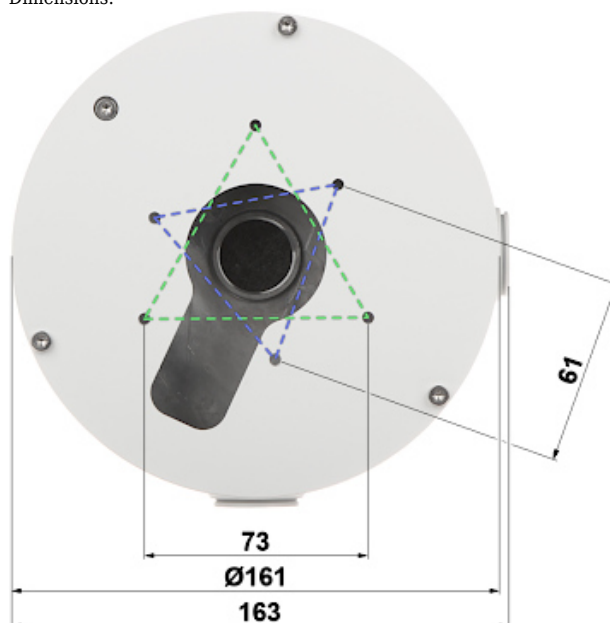
View of the ceiling mounting side:

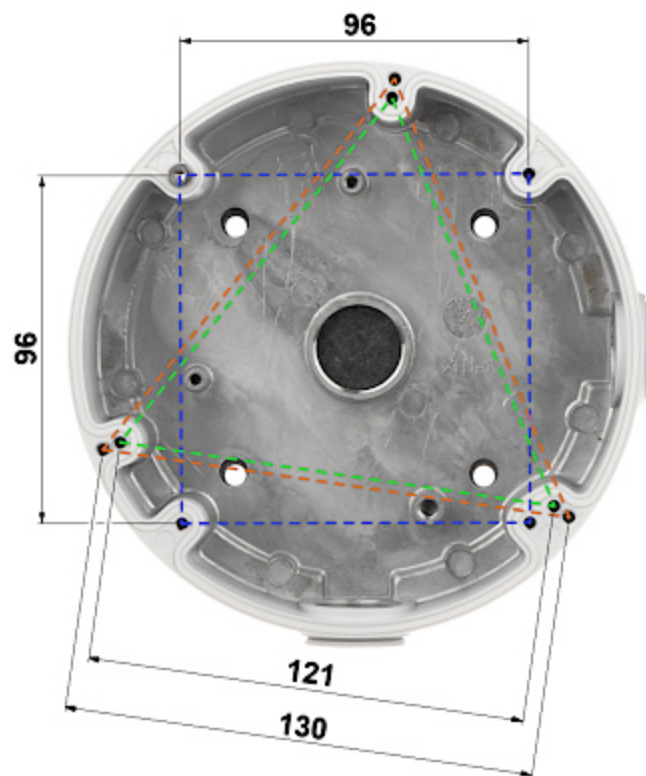


Side view:



Dimensions:





In the kit:

