

Code: PFA135

CAMERA BRACKET **PFA135** DAHUA

Net: **13.94 EUR** Gross: **13.94 EUR**

Ceiling bracket for cameras. Designed to dome cameras. It can be used to vandal-proof cameras installation. It has very useful advantage, possibility to hide camera cables and connectors.



SPECIFICATION

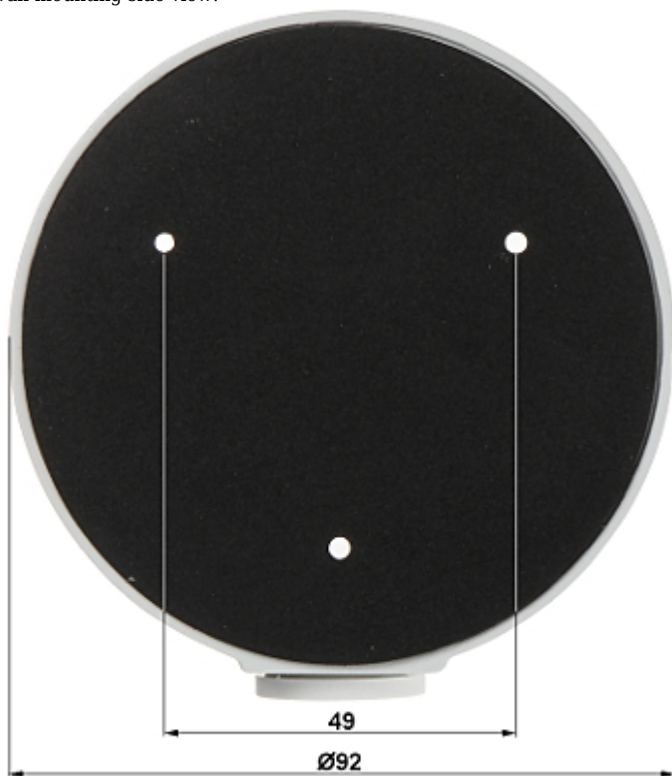
Neck diameter:	Ø 94 mm
Suitable for cameras:	DAHUA - documentation for download below.
Material:	Aluminum
Color:	White
Distance from mounting surface:	33.7 mm
Weight:	0.132 kg
Dimensions:	Ø 94.3 x 34 mm
Manufacturer / Brand:	DAHUA
Guarantee:	3 years

PRESENTATION

Camera mounting side view:



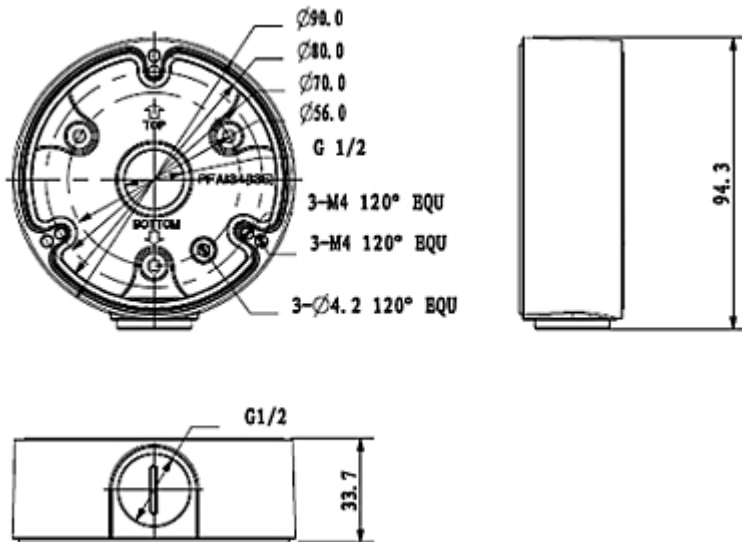
Wall mounting side view:



Side view:



Dimensions:



In the kit:



PACKAGE

Dimensions (L x W x H): 0x0x0 mm	Gross Weight: 0 kg
----------------------------------	--------------------



DELTA-OPTI Monika Matysiak; <https://www.delta.poznan.pl>
POL; 60-713 Poznań; Graniczna 10
e-mail: delta-opti@delta.poznan.pl; tel: +(48) 61 864 69 60