

Code: DS-2CV2121G2-IDW(2.8MM)(E)

IP CAMERA DS-2CV2121G2-IDW(2.8MM)(E) Wi-Fi - 1080p Hikvision

Net: 758.00 PLN Gross: 932.34 PLN



IP camera with efficient H.264 image compression algorithm for clear and smooth video streaming at maximal resolution of 1080p.

The used Wi-Fi module allows to remote communication with camera for max. distance up to 120 m.

Note: Connection to the Hik-Connect cloud is only possible via the camera's cable interface.

SPECIFICATION

Standard:	TCP/IP
Sensor:	1/2.7 " Progressive Scan CMOS
Matrix size:	2.1 Mpx
Resolution:	1920 x 1080 - 1080p , 1280 x 720 - 720p
Lens:	2.8 mm
View angle:	<ul style="list-style-type: none">• 111 ° (manufacturer data)• 103 ° (our tests result)
Range of IR illumination:	30 m
RS-485 interface:	—
Image compression method:	H.265+ / H.265 / H.264+ / H.264
Alarm inputs / outputs:	—
Audio:	<ul style="list-style-type: none">• Microphone built-in,• Speaker built-in,• Bi-directional audio streaming support,• Noise reduction
Memory card slot:	Micro SD memory cards up to 256GB support (possible local recording)
Main stream frame rate:	25 fps @ 1080p
Network interface:	<ul style="list-style-type: none">• Wi-Fi : 802.11n/g/b• 10/100 Base-T (RJ-45)

DELTA-OPTI Monika Matysiak; <https://www.delta.poznan.pl>
POL; 60-713 Poznań; Graniczna 10
e-mail: delta-opti@delta.poznan.pl; tel: +(48) 61 864 69 60

Network protocols:	TCP/IP, ICMP, DHCP, DNS, DDNS, HTTP, RTP, RTSP, NTP, UPnP, SMTP, IGMP, IPv6, UDP, QoS, Bonjour
ONVIF:	18.12
WEB Server:	Built-in
Max. number of on-line users:	6
Mobile phones support:	Port no.: 8000 or access by a cloud (P2P) <ul style="list-style-type: none"> • Android: Free application Hik-Connect • iOS: Free application Hik-Connect
Default admin user / password:	admin / - The administrator password should be set at the first start
Default IP address:	192.168.1.64
Web browser access ports:	80
PC client access ports:	Port no.: 8000 or access by a cloud (P2P) - iVMS-4200 application
Mobile client access ports:	8000
Port ONVIF:	80
RTSP URL:	<ul style="list-style-type: none"> • Main stream : rtsp://user:password@192.168.1.64:554/Streaming/Channels/101/ - with authorization • Sub stream : rtsp://user:password@192.168.1.64:554/Streaming/Channels/102/ - with authorization
Main features:	<ul style="list-style-type: none"> • Built-in Wi-Fi module • WDR - 120 dB - Wide Dynamic Range • 3D-DNR - Digital Noise Reduction • ROI - improve the quality of selected parts of image • Anti-Flicker - The technology eliminates the tiring eyes flickering image effect • EXIR - high-efficiency infrared LEDs technology, which evenly covers the whole plan of both central vantage points of the scene as well as the corners • ICR - Movable InfraRed filter • BLC - Back Light Compensation • HLC - High Light Compensation (spot) • RESET button • Possibility to change the resolution, quality and bit rate • Motion Detection • Mirror - Mirror image
Power supply:	12 V DC / 500 mA
Power consumption:	≤ 6 W
Housing:	Dome, Plastic
Color:	White + Black
"Index of Protection":	IP66
Vandal-proof:	—
Operation temp:	-30 °C ... 60 °C
Weight:	0.63 kg
Dimensions:	126 x 96 mm
Supported languages:	English
Manufacturer / Brand:	Hikvision
SAP Code:	311318572
Guarantee:	3 years

PRESENTATION



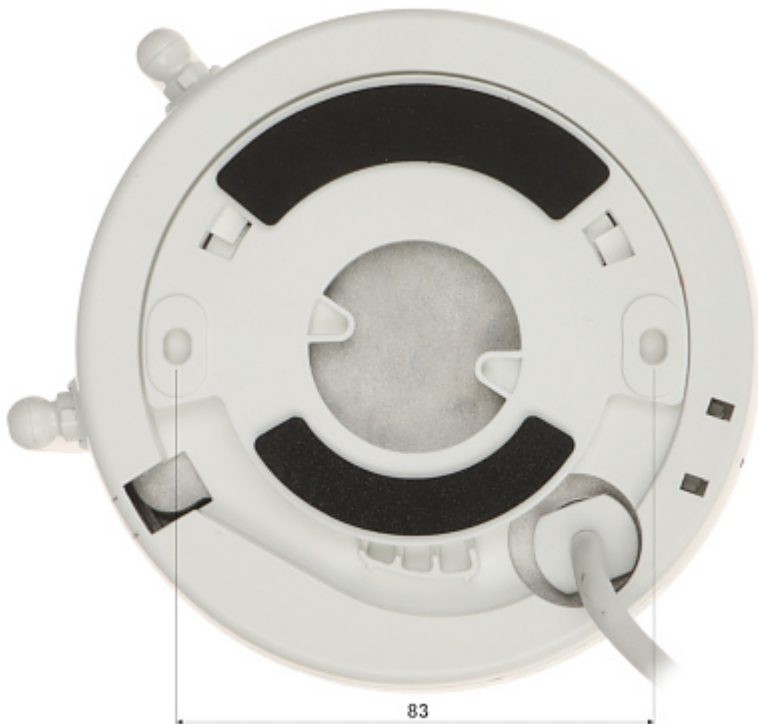
DELTA-OPTI Monika Matysiak; <https://www.delta.poznan.pl>
POL; 60-713 Poznań; Graniczna 10
e-mail: delta-opti@delta.poznan.pl; tel: +(48) 61 864 69 60



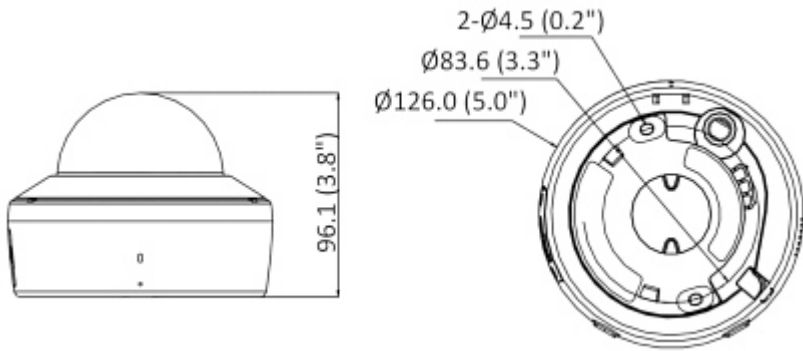
Side view:



Bottom view:



Dimensions:



In the kit:



OUR TESTS

Camera image at artificial illumination (about 30Lux):



Camera image at night conditions with internal built-in IR illuminator on:



Camera image at direct strong light opposite to camera:



PACKAGE

Dimensions (L x W x H): 0x0x0 mm	Gross Weight: 0 kg
----------------------------------	--------------------

