

Code: IPC-HFW1430DS-SAW-0280B

IP CAMERA **IPC-HFW1430DS-SAW-0280B** Wi-Fi - 4 Mpx 2.8 mm DAHUA

Net: **160.38 EUR** Gross: **160.38 EUR**

IP camera with efficient H.265 / H.264 image compression algorithm for clear and smooth video streaming at maximal resolution of 4 MPx.

The used Wi-Fi module allows to remote communication with camera for max. distance up to 80 m.

The range of IR illumination according to the manufacturer data, depends on outer conditions (visibility - air transparency, environment, wall colors ie. scene reflectance). Camera is according to IP67 Index of Protection norm.

In order to obtain optimal performance of DAHUA Wi-Fi series cameras, it is recommended to use DAHUA Micro SD memory cards.



SPECIFICATION

Standard:	TCP/IP
Sensor:	1/3 " Progressive Scan CMOS
Matrix size:	4 Mpx
Resolution:	2560 x 1440 - 4 Mpx , 2304 x 1296 - 3 Mpx , 1920 x 1080 - 1080p , 1280 x 960 - 1.3 Mpx , 1280 x 720 - 720p
Lens:	2.8 mm
View angle:	90 °
Range of IR illumination:	30 m
Memory card slot:	Micro SD memory cards up to 256GB support (possible local recording)
Image compression method:	H.265+ / H.265 / H.264+ / H.264
Alarm inputs / outputs:	—
Audio:	<ul style="list-style-type: none">• Microphone built-in• Audio detection• Audio transmission via network
Main stream frame rate:	20 fps @ 4 Mpx 25 fps @ 3 Mpx
Network interface:	<ul style="list-style-type: none">• Wi-Fi - 2.4 GHz IEEE 802.11 b/g/n,• 10/100 Base-T (RJ-45)

DELTA-OPTI Monika Matysiak; <https://www.delta.poznan.pl>
POL; 60-713 Poznań; Graniczna 10
e-mail: delta-opti@delta.poznan.pl; tel: +(48) 61 864 69 60

Network protocols:	IPv4, HTTP, TCP, UDP, ARP, RTP, RTSP, RTCP, DHCP, DNS, NTP, Multicast
WEB Server:	Built-in
ONVIF:	20.06
Mobile phones support:	Access by a cloud (P2P) <ul style="list-style-type: none"> • Android: Free application DMSS • iOS (iPhone): Free application DMSS
Default IP address:	DHCP
Default admin user / password:	admin / - The administrator password should be set at the first start
Web browser access ports:	80, 37777
PC client access ports:	37777
Mobile client access ports:	37777
Port ONVIF:	80
RTSP URL:	rtsp://admin:haslo@192.168.1.108:554/cam/realmonitor?channel=1&subtype=0 - Main stream rtsp://admin:haslo@192.168.1.108:554/cam/realmonitor?channel=1&subtype=1 - Sub stream
Main features:	<ul style="list-style-type: none"> • Wi-Fi module, Range : 80 m (open area) ; Antenna - SMA socket • D-WDR - Wide Dynamic Range • 3D-DNR - Digital Noise Reduction • ROI - improve the quality of selected parts of image • BLC - configurable Back Light Compensation • Auto White Balance • AGC - Automatic Gain Control • Day/night mode • ICR - Movable InfraRed filter • Mirror - Mirror image • Motion Detection - max. 4 zones - Human detection
Power supply:	12 V DC / 350 mA (power adapter included)
Power consumption:	≤ 4.1 W
Housing:	Compact - Metal
Color:	White
"Index of Protection":	IP67
Vandal-proof:	—
Operation temp:	-40 °C ... 60 °C
Weight:	0.48 kg
Dimensions:	166 x 70 x 129 mm
Supported languages:	English, Spanish, Russian
Manufacturer / Brand:	DAHUA
Guarantee:	3 years

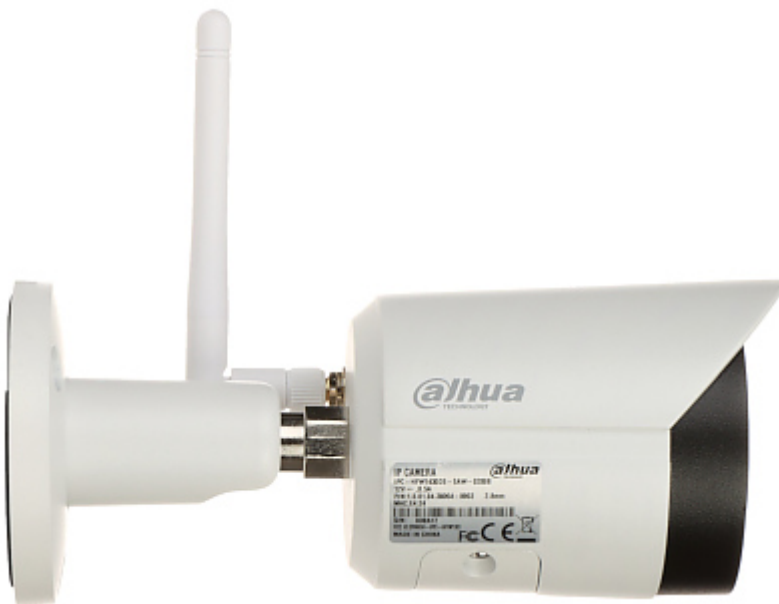
PRESENTATION



DELTA-OPTI Monika Matysiak; <https://www.delta.poznan.pl>
POL; 60-713 Poznań; Graniczna 10
e-mail: delta-opti@delta.poznan.pl; tel: +(48) 61 864 69 60



Side view:



Memory card slot:



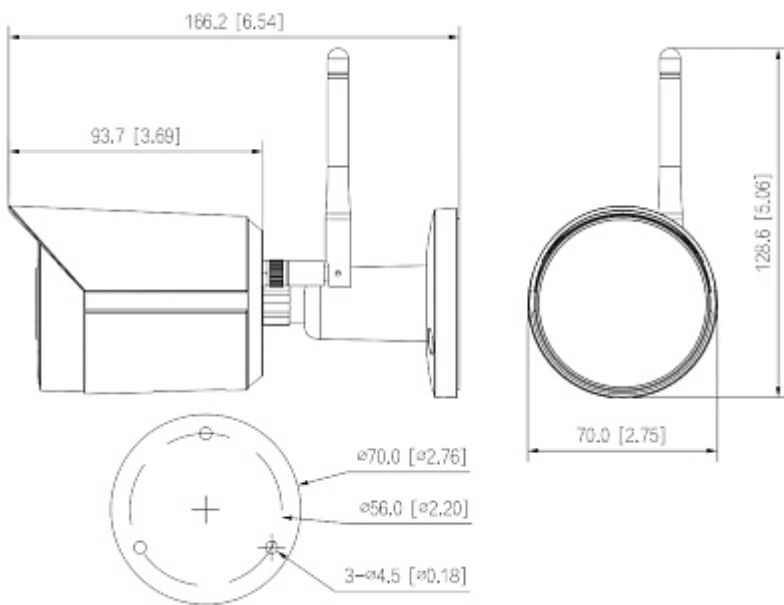
Antenna connector:



Mounting side view:



Dimensions:



See how to initialize DAHUA cameras:

:

In the kit:



OUR TESTS

Camera image at artificial illumination (about 30Lux):



Camera image at night conditions with internal built-in IR illuminator on:



Camera image at direct strong light opposite to camera:



PACKAGE

Dimensions (L x W x H): 0x0x0 mm	Gross Weight: 0 kg
----------------------------------	--------------------

DELTA-OPTI Monika Matysiak; <https://www.delta.poznan.pl>
POL; 60-713 Poznań; Graniczna 10
e-mail: delta-opti@delta.poznan.pl; tel: +(48) 61 864 69 60