

Code: ETI-D02/20A

## FUSE LINK **ETI-D02/20A** 20 A 400 V gG E18 ETI

Net: **0.88 EUR** Gross: **0.88 EUR**

Fuse-links are used as the most reliable protection of electrical installation against overload and short-circuit currents. All fuse-links have blown-fuse indicators which are visible through the screw cap when mounted.



### SPECIFICATION

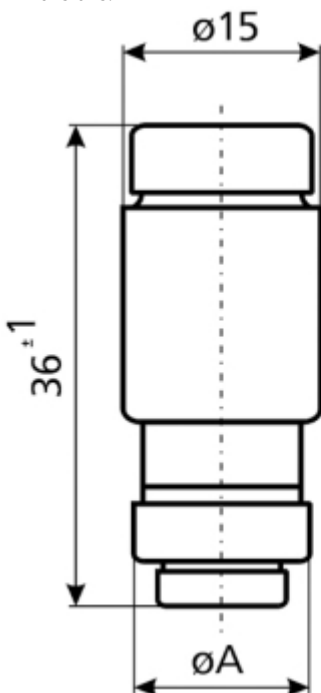
Rated current:	20 A
Rated voltage:	250 V DC, 400 V AC
Fusing characteristics:	gG
Fuse base:	E18
Type:	D0
Size:	D02
Breaking capacity:	50 kA AC, 8 kA DC
Main features:	<ul style="list-style-type: none"><li>• Low power and energy losses</li><li>• Small temperature increase</li><li>• High ability to limit short-circuit current</li><li>• Stability of current-time characteristics and full selectivity of operation</li><li>• Selective cooperation with over-current circuit breakers</li></ul>
Housing:	Ceramic
Weight:	0.011 kg
Dimensions:	Ø 15 x 36 mm Ø 10.9 mm (A)
Manufacturer / Brand:	ETI
Guarantee:	2 years

### PRESENTATION

DELTA-OPTI Monika Matysiak; <https://www.delta.poznan.pl>  
POL; 60-713 Poznań; Graniczna 10  
e-mail: [delta-opti@delta.poznan.pl](mailto:delta-opti@delta.poznan.pl); tel: +(48) 61 864 69 60



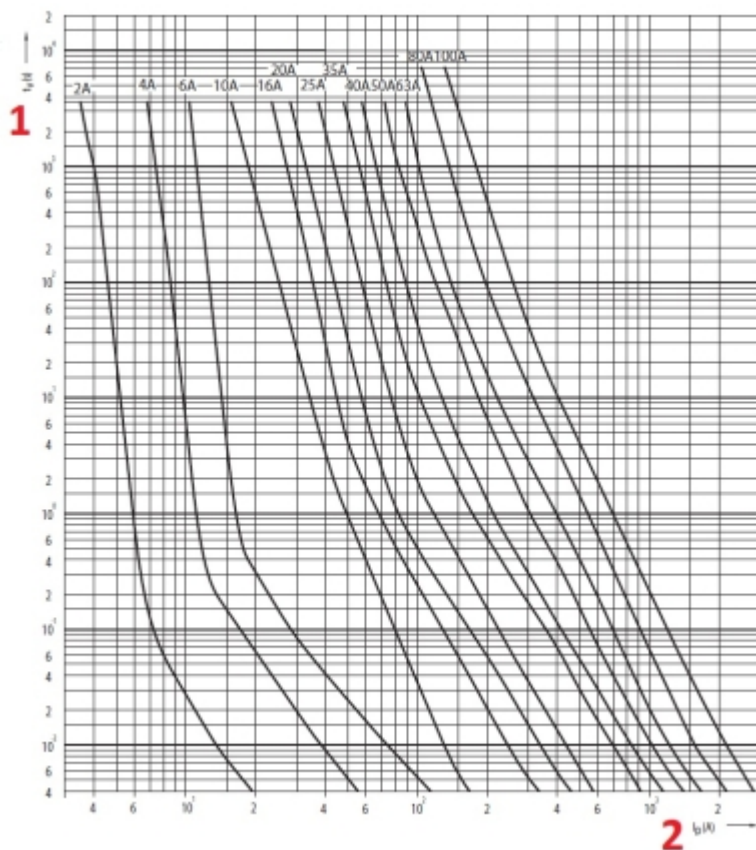
Dimensions:



$I_n$ [A]	$\varnothing A$
20	10,9
25	12,1
32	13,3
35	13,3
40	13,3
50	14,5
63	15,9



Time-current characteristics:



1. Prearcing time (s)
2. Prospective current (A)

#### PACKAGE

Dimensions (L x W x H): 0x0x0 mm	Gross Weight: 0 kg
----------------------------------	--------------------

