

Code: ETI-D02/35A

FUSE LINK **ETI-D02/35A** 35 A 400 V gL/gG E18 ETI

Net: **3.55 PLN** Gross: **4.37 PLN**

Fuse-links are used as the most reliable protection of electrical installation against overload and short-circuit currents. All fuse-links have blown-fuse indicators which are visible through the screw cap when mounted.

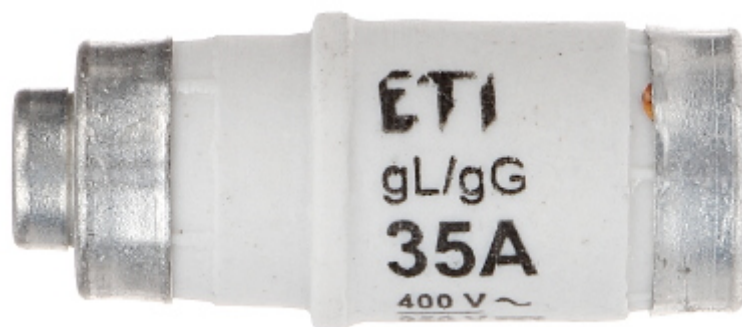


SPECIFICATION

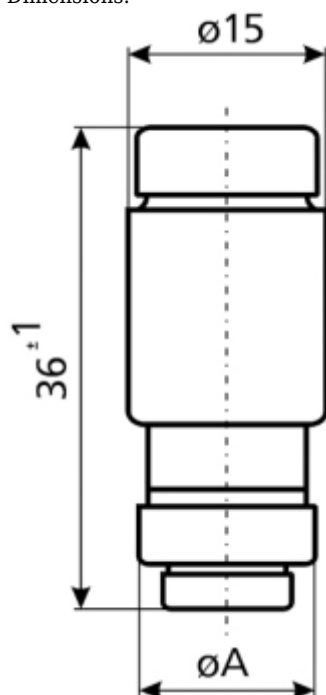
Rated current:	35 A
Rated voltage:	250 V DC, 400 V AC
Fusing characteristics:	gL/gG
Fuse base:	E18
Type:	D0
Size:	D02
Breaking capacity:	50000 A AC, 8000 A DC
Main features:	<ul style="list-style-type: none">• Low power and energy losses• Small temperature increase• High ability to limit short-circuit current• Stability of current-time characteristics and full selectivity of operation• Selective cooperation with over-current circuit breakers
Housing:	Ceramic
Weight:	0.012 kg
Dimensions:	Ø 15 x 36 mm Ø 13.3 mm (A)
Manufacturer / Brand:	ETI
Guarantee:	2 years

PRESENTATION

DELTA-OPTI Monika Matysiak; <https://www.delta.poznan.pl>
POL; 60-713 Poznań; Graniczna 10
e-mail: delta-opti@delta.poznan.pl; tel: +(48) 61 864 69 60

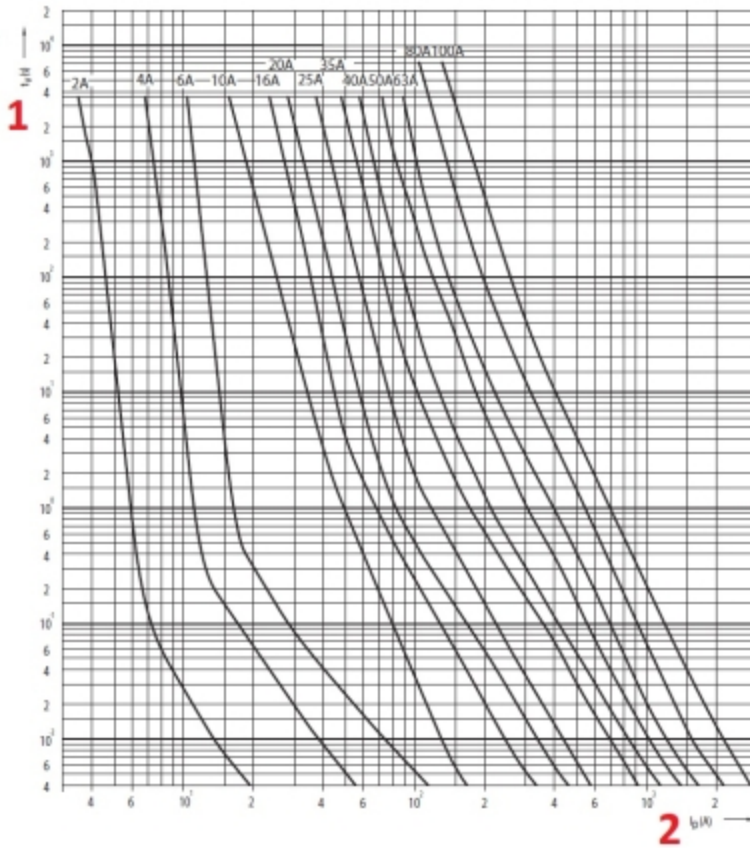


Dimensions:



I_n [A]	ϕA
20	10,9
25	12,1
32	13,3
35	13,3
40	13,3
50	14,5
63	15,9

Time-current characteristics:



1. Prearcing time (s)
2. Prospective current (A)