

Code: DS-2CD6365G0-IVS(1.27MM)

IP VANDALPROOF CAMERA **DS-2CD6365G0-IVS(1.27MM)** - 6.3 Mpx

1.27 mm - Fish Eye Hikvision

Net: **877.40 EUR** Gross: **1 079.20 EUR**

IP camera with "fish eye" wide-angle lens.



SPECIFICATION

Standard:	TCP/IP
Sensor:	1/1.8 " Progressive Scan CMOS
Matrix size:	6 Mpx
Scanning system:	Progressive
Resolution:	3072 x 2048 - 6.3 Mpx , 2048 x 2048 - 4.2 Mpx , 1280 x 1280 - 1.6 Mpx
Lens:	1.27 mm - Fish Eye / F2.6
View angle:	180 °
Range of IR illumination:	15 m
RS-485 interface:	✓
Image compression method:	H.265+ / H.265 / H.264+ / H.264 / MJPEG
Alarm inputs / outputs:	1 / 1
Audio:	<ul style="list-style-type: none">• Microphone built-in• External microphone input• Speaker built-in• Audio output• Bi-directional audio streaming support• Audio detection
Bitrate:	32 ... 16384 kbps
Main stream frame rate:	25 fps @ 6.3 Mpx
Network interface:	10/100/1000 Base-TX (RJ-45)
Network protocols:	TCP/IP, ICMP, HTTP, HTTPS, FTP, DHCP, DNS, DDNS, RTP, RTSP, RTCP, PPPoE, NTP, UPnP, SMTP, SNMP, IGMP, IEEE 802.1x, QoS, IPv6, UDP, Bonjour
Memory card slot:	Micro SD memory cards up to 256GB support (possible local recording)
Mobile phones support:	Port no.: 8000 or access by a cloud (P2P) <ul style="list-style-type: none">• Android: Free application iVMS-4500, Android: Free application Hik-Connect• iOS (iPhone): Free application iVMS-4500, iOS (iPhone): Free application Hik-Connect
Default IP address:	192.168.1.64

Default admin user / password:	admin / - The administrator password should be set at the first start
Web browser access ports:	80
PC client access ports:	Port no.: 8000 or access by a cloud (P2P)
Mobile client access ports:	8000
Port ONVIF:	80
RTSP URL:	<ul style="list-style-type: none"> • Main stream rtsp://user:password@192.168.1.64:554/Streaming/Channels/101/ - with authorization • Sub stream rtsp://user:password@192.168.1.64:554/Streaming/Channels/102/ - with authorization
ONVIF:	16.12
Max. number of on-line users:	20
Main features:	<ul style="list-style-type: none"> • Intelligent Image Analysis : Target Count - Statistical Reporting, crossing the line (tripwire), intrusion, detection of entry into the area / exit from the area, abandoned/missing object • Heat map - the selection in the image by corresponding colors the areas with different traffic • 3D-DNR - Digital Noise Reduction • D-WDR - Wide Dynamic Range • F-DNR (Defog) - Reduction of image noise caused by precipitation • ANR - Automatic Network Replenishment allows to save image to the card when the network connection with DVR is break (network failure) and next synchronize its • ROI - improve the quality of selected parts of image • Anti-Flicker - The technology eliminates the tiring eyes flickering image effect • BLC - Back Light Compensation • HLC - High Light Compensation (spot) • Possibility to change the resolution, quality and bit rate • Time mark and image description • Image rotation and mirror • Configurable: brightness, contrast, saturation • Privacy zones • Motion Detection
Power supply:	<ul style="list-style-type: none"> • PoE (802.3at), • 12 V DC / 1 A
Power consumption:	<ul style="list-style-type: none"> • ≤ 15 W @ PoE (802.3at) • ≤ 12.5 W @ 12 V DC
Housing:	Dome - Metal
Color:	White
"Index of Protection":	IP67
Vandal-proof:	IK10
Operation temp:	-40 °C ... 60 °C
Weight:	0.72 kg
Dimensions:	167 x 153 x 55 mm
Supported languages:	Polish, English, Bulgarian, Croatian, Czech, Danish, Estonian, Finnish, French, Greek, Spanish, Dutch, Lithuanian, Latvian, German, Norwegian, Portuguese, Russian, Romanian, Serbian, Slovak, Slovenian, Swedish, Turkish, Hungarian, Italian
Manufacturer / Brand:	Hikvision
SAP Code:	311302051
Guarantee:	3 years

PRESENTATION

Front view:



DELTA-OPTI Monika Matysiak; <https://www.delta.poznan.pl>
POL; 60-713 Poznań; Graniczna 10
e-mail: delta-opti@delta.poznan.pl; tel: +(48) 61 864 69 60



Camera view after remove the Dome cover:

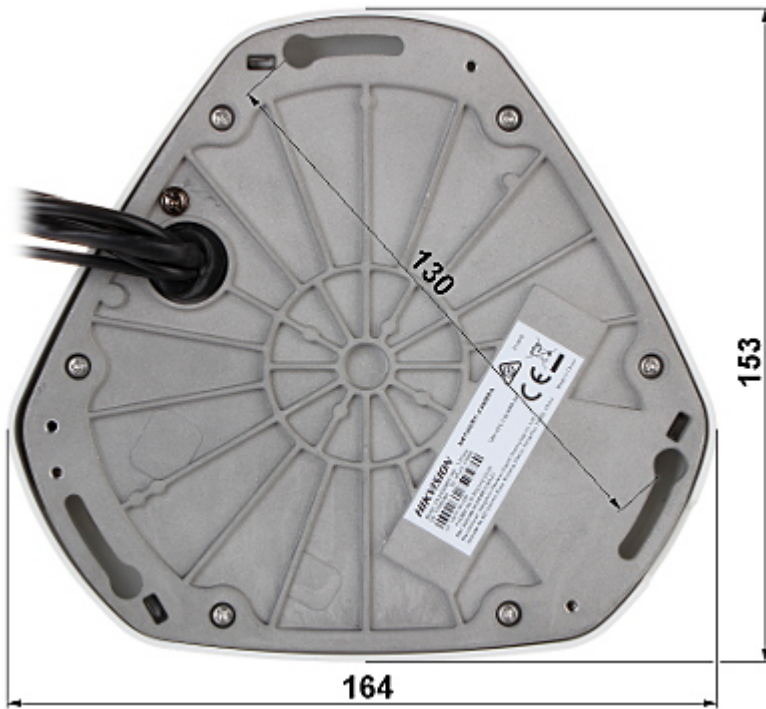




Memory card slot:



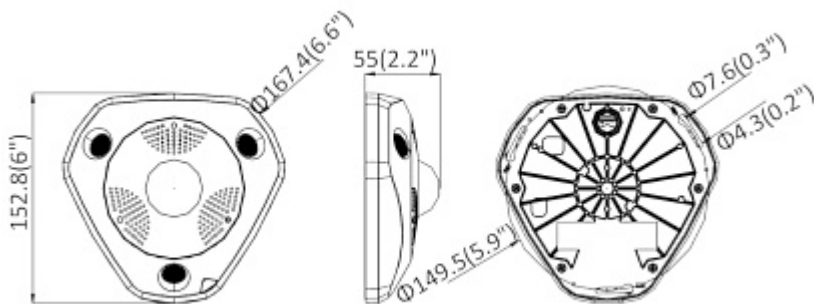
Mounting side view:



Camera connectors:



Camera dimensions:



In the kit:

DELTA-OPTI Monika Matysiak; <https://www.delta.poznan.pl>
 POL; 60-713 Poznań; Graniczna 10
 e-mail: delta-opti@delta.poznan.pl; tel: +(48) 61 864 69 60

