

Code: IPC-EBW81242

IP VANDALPROOF CAMERA **IPC-EBW81242** - 12.0 Mpx 1.85 mm - Fish Eye DAHUA

Net: **1 444.37 EUR** Gross: **1 776.58 EUR**

IP camera with "fish eye" wide-angle lens.



SPECIFICATION

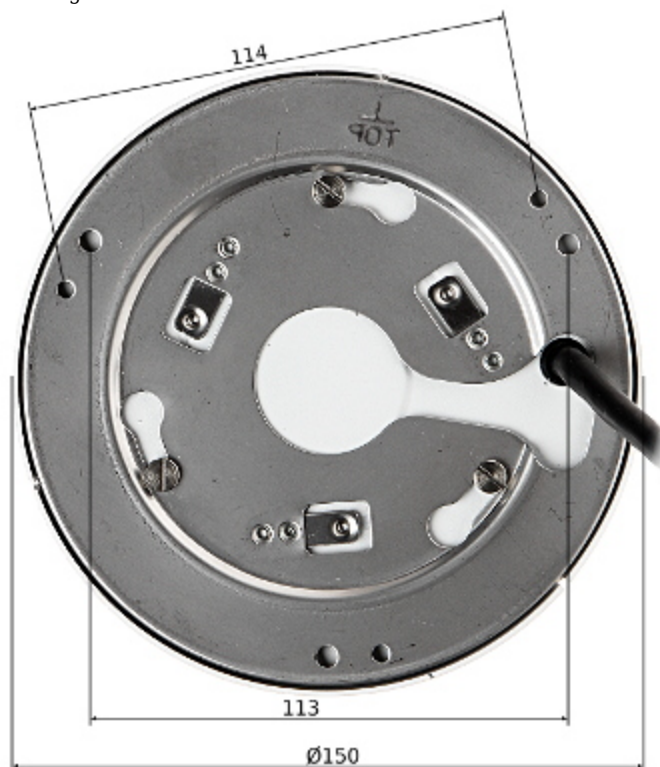
Standard:	TCP/IP
Sensor:	1/1.7 " Progressive Scan CMOS
Matrix size:	12.0 Mpx
Scanning system:	Progressive
Resolution:	4000 x 3000 - 12.0 Mpx , 2880 x 2880 - 8.3 Mpx , 2880 x 2160 - 6.2 Mpx , 2048 x 1536 - 3 Mpx , 1280 x 960 - 1.3 Mpx
Lens:	1.85 mm - Fish Eye / F2.0
View angle:	185 °
Range of IR illumination:	10 m
S/N ratio:	> 56 dB
RS-485 interface:	-
Image compression method:	H.265+ / H.265 / H.264+ / H.264 / MJPEG
Alarm inputs / outputs:	2 / 2
Audio:	<ul style="list-style-type: none">• Microphone built-in• External microphone input• Audio output• Bi-directional audio streaming support
Main stream frame rate:	25 fps @ 12 Mpx
Network interface:	10/100 Base-T (RJ-45)
Network protocols:	HTTP, TCP, ARP, RTSP, RTP, UDP, RTCP, SMTP, FTP, DHCP, DNS, DDNS, PPPoE, IPv4/IPv6, SNMP, QoS, UPnP, NTP, HTTPS, IEEE 802.1x
Memory card slot:	Micro SD memory cards up to 256GB support (possible local recording)
Default admin user / password:	admin / -

DELTA-OPTI Monika Matysiak; <https://www.delta.poznan.pl>
POL; 60-713 Poznań; Graniczna 10
e-mail: delta-opti@delta.poznan.pl; tel: +(48) 61 864 69 60

Default IP address:	192.168.1.108
Web browser access ports:	80, 37777
PC client access ports:	37777
Mobile client access ports:	37777
Port ONVIF:	80
RTSP URL:	rtsp://admin:haslo@192.168.1.108:554/cam/realmonitor?channel=1&subtype=0 - Main stream rtsp://admin:haslo@192.168.1.108:554/cam/realmonitor?channel=1&subtype=1 - Sub stream
WEB Server:	Built-in
Max. number of on-line users:	20
ONVIF:	✓
Main features:	<ul style="list-style-type: none"> • D-WDR - Wide Dynamic Range • 3D-DNR - Digital Noise Reduction • ROI - improve the quality of selected parts of image • BLC/HLC - Back Light / High Light Compensation • Gain - Image enhancement • Configurable: brightness, contrast, saturation • Possibility to change the resolution, quality and bit rate • Privacy zones • WB - White Balance (ATW/AWB/manual/indoor/outdoor) • Heat map - the selection in the image by corresponding colors the areas with different traffic • IVS analysis - crossing the line (tripwire), intrusion, counting people in a given area - support for 4 independent detection areas, detection of people gathering
Power supply:	<ul style="list-style-type: none"> • PoE (802.3af), • 12 V DC / 770 mA
Power consumption:	max. 12.9 W @ PoE max. 9.2 W @ 12 V DC
Housing:	Dome - Metal
Vandal-proof:	IK10
"Index of Protection":	IP67
Color:	White
Operation temp:	-30 °C ... 45 °C
Weight:	0.77 kg
Dimensions:	Ø 150 x 60 mm
Supported languages:	Polish, English, Czech, French, Italian, Spanish, Dutch, German, Portuguese, Russian
Manufacturer / Brand:	DAHUA
Guarantee:	3 years

PRESENTATION

Mounting side view:



Connectors description:



Micro SD card slot is located inside the camera:



See how to initialize DAHUA cameras:

In the kit:

