

Code: VT03211D-P4

VIDEO DOORPHONE VT03211D-P4 DAHUA

Net: 298.72 USD Gross: 367.43 USD

The device cooperates with video doorphones, and other panels working in DAHUA IP Protocol standard. Video Doorphone is mounted in a surface housing. The device generates a separate QR code for each room (for each VTH panel), which allows connection from the smartphone via the P2P network.

ATTENTION! The device does not support the Dahua analogue system.



SPECIFICATION

Compatibility:	DAHUA IP Protocol
Sensor:	1/2.8", 2 Mpx CMOS
View angle:	140°
Image compression method:	H.264
IR illuminator:	✓
proximity reader built-in:	Access control cards - Mifare S50
The number of subscribers served:	4
UTP category:	UTP cat. 5e
Main features:	<ul style="list-style-type: none">• It can only work with the mobile application, without the VTH monitor• The function of the monitor with the ability to open the door can be a smartphone, tablet or the VTH indoor panel• Bidirectional communication,• Microphone built-in,• Speakers built-in,• Tamper detection - opening the enclosure,• Vandal-proof front panel,• Output for the additional lock release button
Power supply:	<ul style="list-style-type: none">• PoE (802.3af),• 12 V DC / 580 mA
Power consumption:	<ul style="list-style-type: none">≤ 7 W (operation)≤ 1 W (Standby mode)
Housing:	Aluminum - powder painted, Waterproof

DELTA-OPTI Monika Matysiak; <https://www.delta.poznan.pl>
POL; 60-713 Poznań; Graniczna 10
e-mail: delta-opti@delta.poznan.pl; tel: +(48) 61 864 69 60

Color:	Graphite
"Index of Protection":	IP65
Mechanical strength:	IK08
Operation temp:	-40 °C ... 60 °C
Weight:	0.47 kg
Dimensions:	182 x 101 x 31 mm
Supported languages:	Polish, English, Bulgarian, Czech, Finnish, Slovenian, Slovak, Hungarian
Manufacturer / Brand:	DAHUA
Guarantee:	3 years

PRESENTATION

Front view:



Side view:



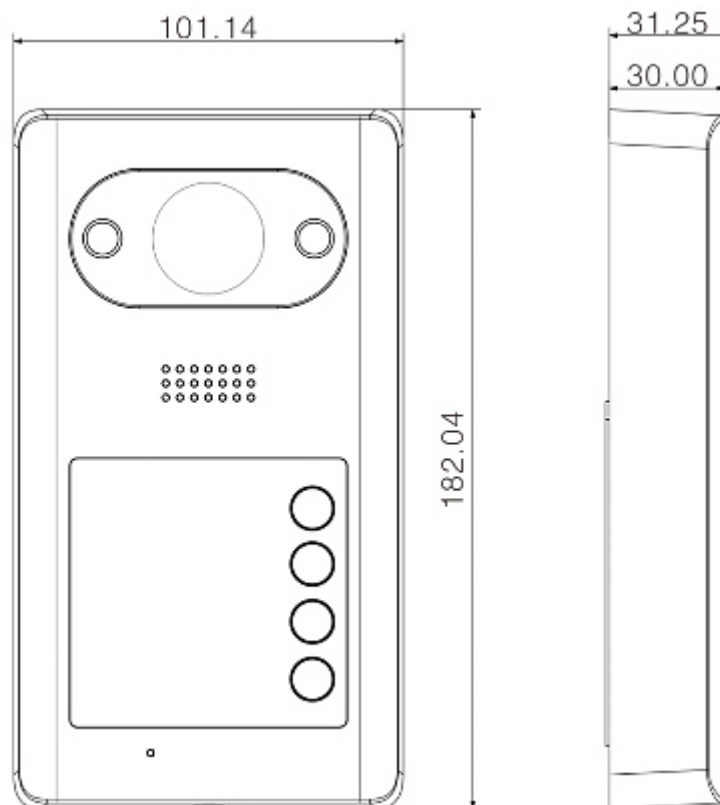
Rear view:



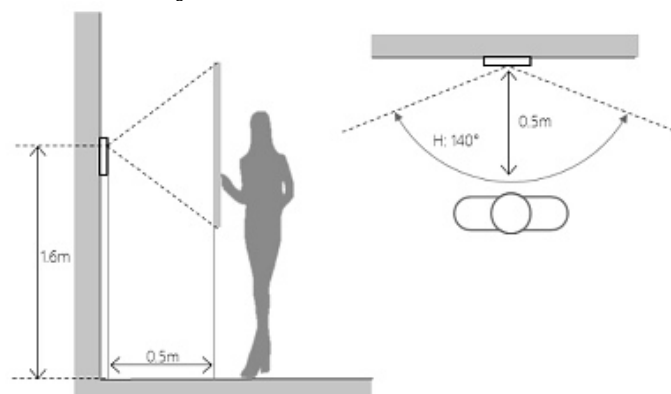
Connectors view:



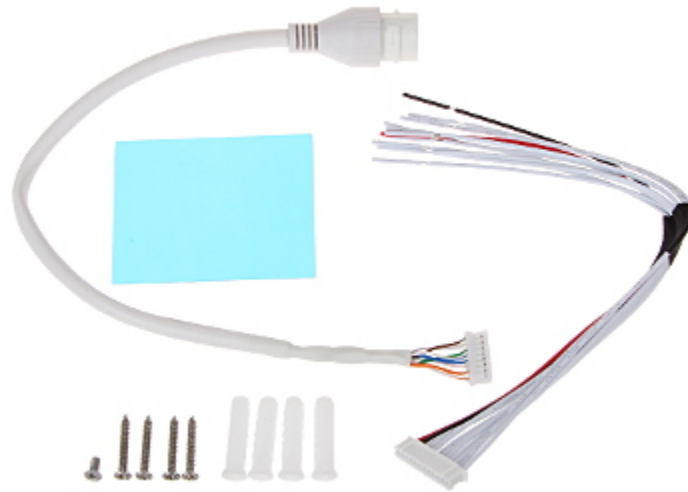
Dimensions:



Method of mounting:

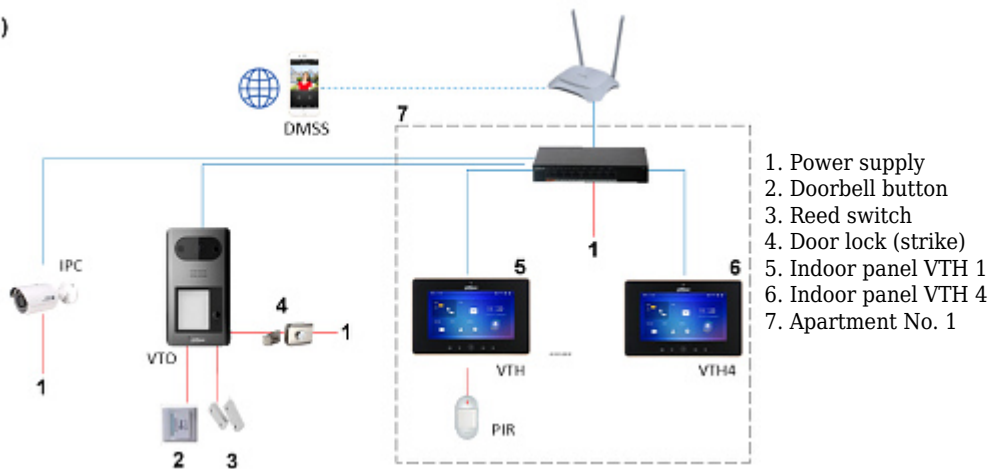


In the kit:

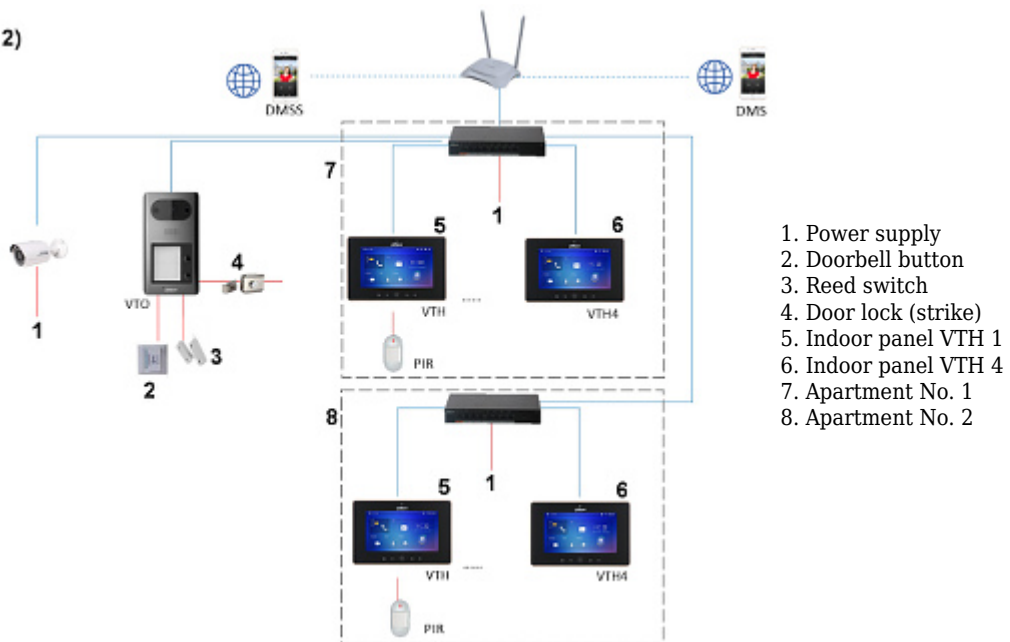


Examples of connection diagrams:

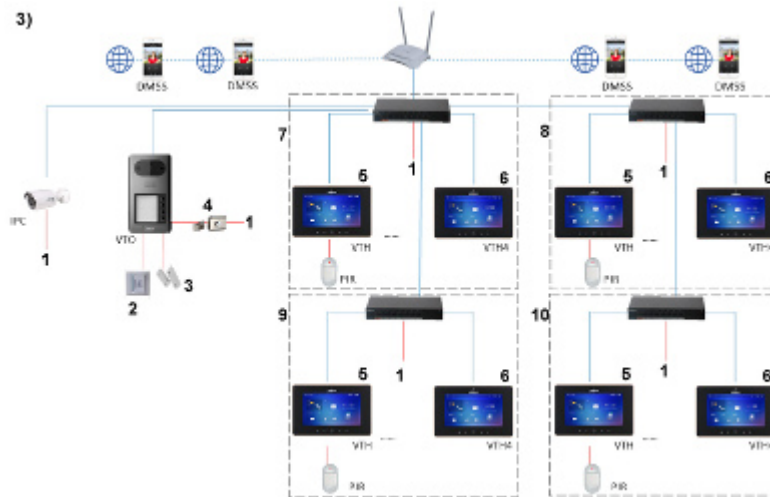
1)



2)



3)



1. Power supply
2. Doorbell button
3. Reed switch
4. Door lock (strike)
5. Indoor panel VTH 1
6. Indoor panel VTH 4
7. Apartment No. 1
8. Apartment No. 2
9. Apartment No. 3
10. Apartment No. 4