

Code: KUZ-VO-KB

# ELECTRICAL INSTALLATION BOX INTO THERMAL INSULATION **KUZ-VO-KB**

Net: **14.86 EUR** Gross: **18.28 EUR**

Universal junction box for installing electrical devices (eg electrical equipment, distribution boxes, etc.) on thermally insulated buildings facades with a thickness from 80 to 140 mm. The robust construction. In the set with the box there is an opening lid with a rubber gasket.

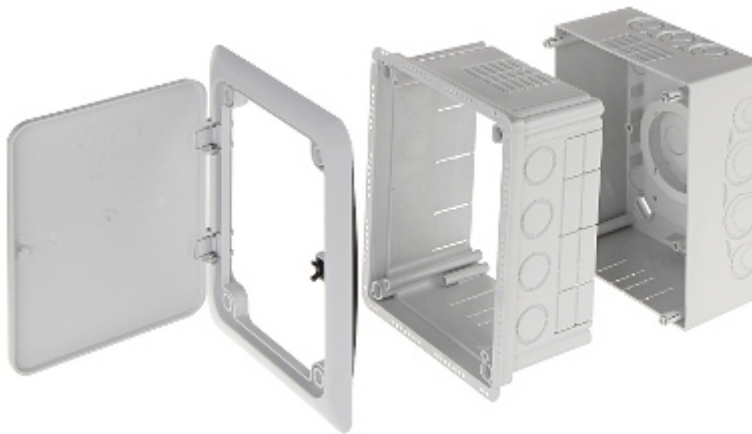
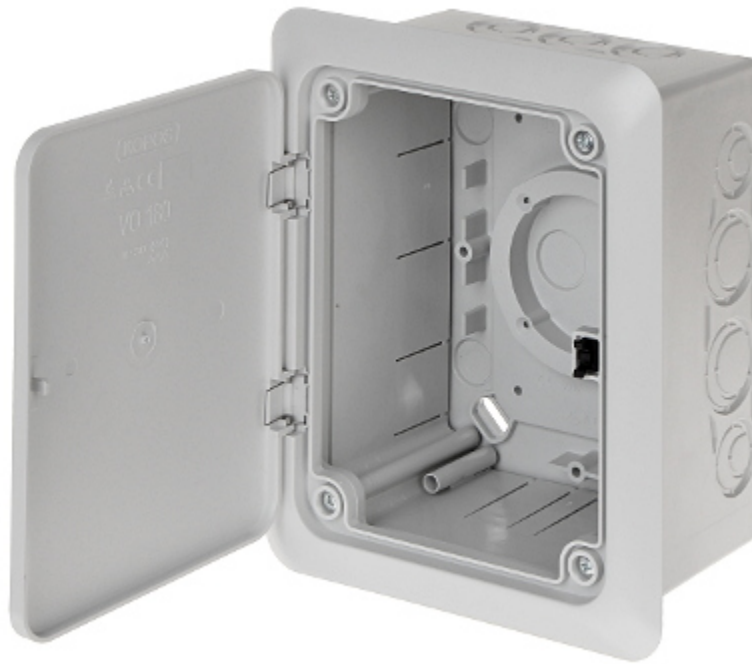


## SPECIFICATION

Number of sections:	1, 2
"Index of Protection":	IP30 / IP44
Voltage insulation:	~ 400 V
Main features:	<ul style="list-style-type: none"><li>• for insulating systems</li><li>• temperature range : -25 °C ... 60 °C</li><li>• flammability index : 850 °C</li><li>• adjustable depth of the box</li><li>• Guides for attaching the TS35 rail</li><li>• Mounting screws, opening lid, rubber gasket - included</li></ul>
Material:	Non-halogen plastic
Color:	Light gray
Weight:	0.558 kg
Thickness of the insulating layer:	80 ... 140 mm
Mounting holes distance:	60 mm, 71 mm
Dimensions:	196 x 156 x 86 ... 146 mm (box) 210 x 170 x 12 mm (cover)
Guarantee:	2 years

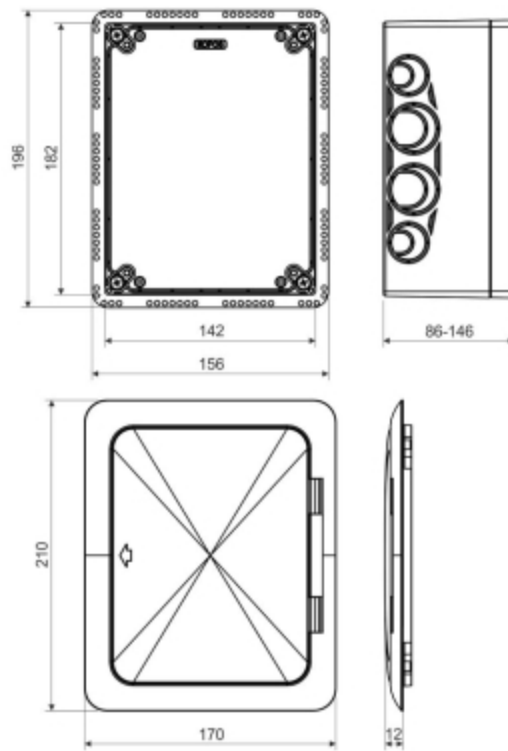
## PRESENTATION

DELTA-OPTI Monika Matysiak; <https://www.delta.poznan.pl>  
POL; 60-713 Poznań; Graniczna 10  
e-mail: [delta-opti@delta.poznan.pl](mailto:delta-opti@delta.poznan.pl); tel: +(48) 61 864 69 60

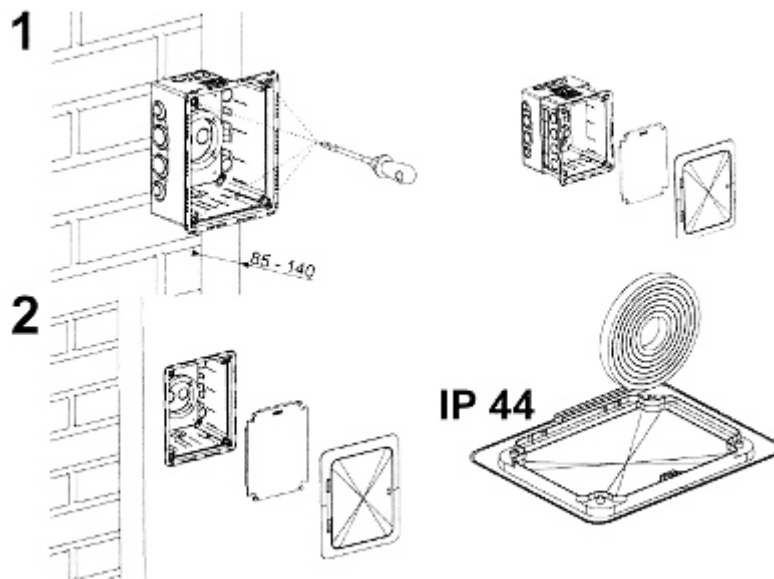




Dimensions:



Method of mounting:



In the kit:

