

Code: PUH-3P-M20T

CONNECTION BOX **PUH-3P-M20T**

Net: **6.06 EUR** Gross: **7.45 EUR**

The IP68 hermetic box designed for quick and easy connection of the power cables. The product can be successfully used in irrigation systems and to connect the cables in the ground.



SPECIFICATION

Number of intakes:	3
Number of terminals:	3 x 3 pcs
"Index of Protection":	IP68
Voltage insulation:	450 V
Cable diameter:	Ø 5 ... Ø 9 mm
Wire gauge:	0.5 ... 4 mm ²
Dimensions:	102 ... 110 x 66 ... 72 x 26 mm
Guarantee:	2 years

PRESENTATION

Particular elements:



Connectors:

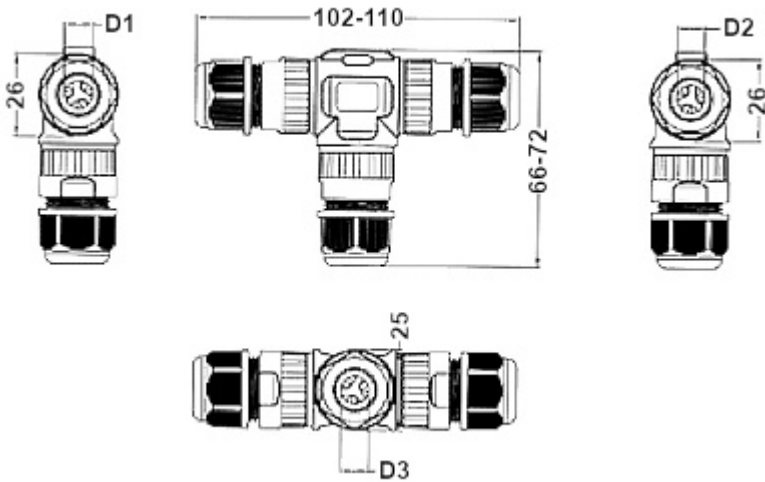
DELTA-OPTI Monika Matysiak; <https://www.delta.poznan.pl>
POL; 60-713 Poznań; Graniczna 10
e-mail: delta-opti@delta.poznan.pl; tel: +(48) 61 864 69 60



Example of application:



Dimensions:



PACKAGE

Dimensions (L x W x H): 0x0x0 mm	Gross Weight: 0 kg
----------------------------------	--------------------