

Code: KN-CA59

GATE MAGNETIC DETECTOR KN-CA59

Net: 7.34 EUR Gross: 9.03 EUR

The magnetic contacts can be used wherever required for controlling the status of doors, windows and/or other movable elements, e.g. for protection or monitoring of access to particular sites, spaces, facilities, in automatic control systems, etc.
The contact is designed for surface mounting.



SPECIFICATION

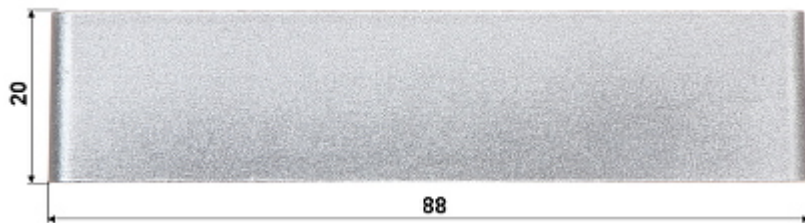
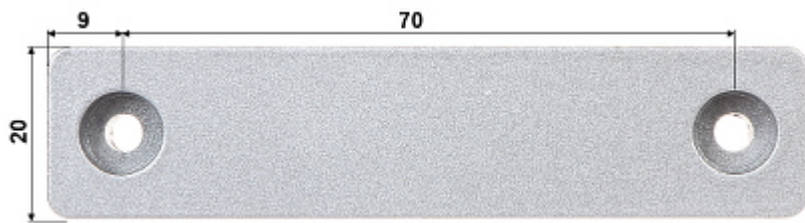
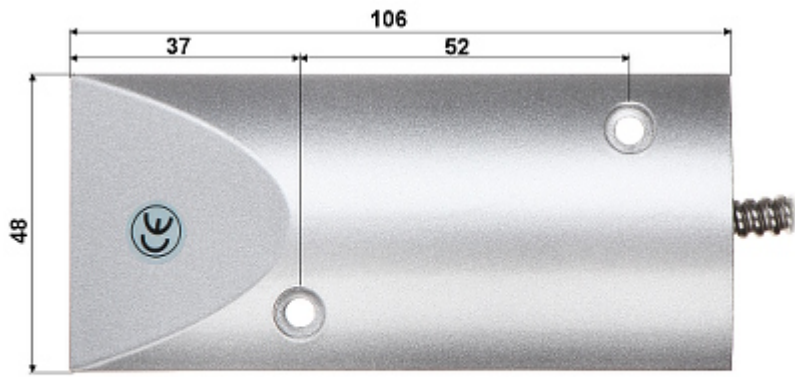
Detection:	Opening the door or window
Maximum reed switched voltage:	20 V
Maximum switched current:	10 mA
Make distance:	19 mm
Break distance:	20 mm
Main features:	<ul style="list-style-type: none">• Rugged, metal sealed body• NC output - a magnet close to a reed switch - does not trigger an alarm, the contacts are closed• Length of the cables : 40 cm• The cables are protected with a metal spiral tube with a length of 36.5 cm
Color:	Silver
Weight:	0.19 kg (total)
Dimensions:	106 x 48 x 9.5 mm - Reed switch 88 x 20 x 20 mm - Magnet
Guarantee:	2 years

PRESENTATION

Dimensions:



DELTA-OPTI Monika Matysiak; <https://www.delta.poznan.pl>
POL; 60-713 Poznań; Graniczna 10
e-mail: delta-opti@delta.poznan.pl; tel: +(48) 61 864 69 60



In the kit:

