

Code: KN-OC55

## GATE MAGNETIC DETECTOR **KN-OC55**

Net: **4.37 EUR** Gross: **5.38 EUR**

The magnetic contacts can be used wherever required for controlling the status of doors, windows and/or other movable elements, e.g. for protection or monitoring of access to particular sites, spaces, facilities, in automatic control systems, etc.

The contact is designed for surface mounting.

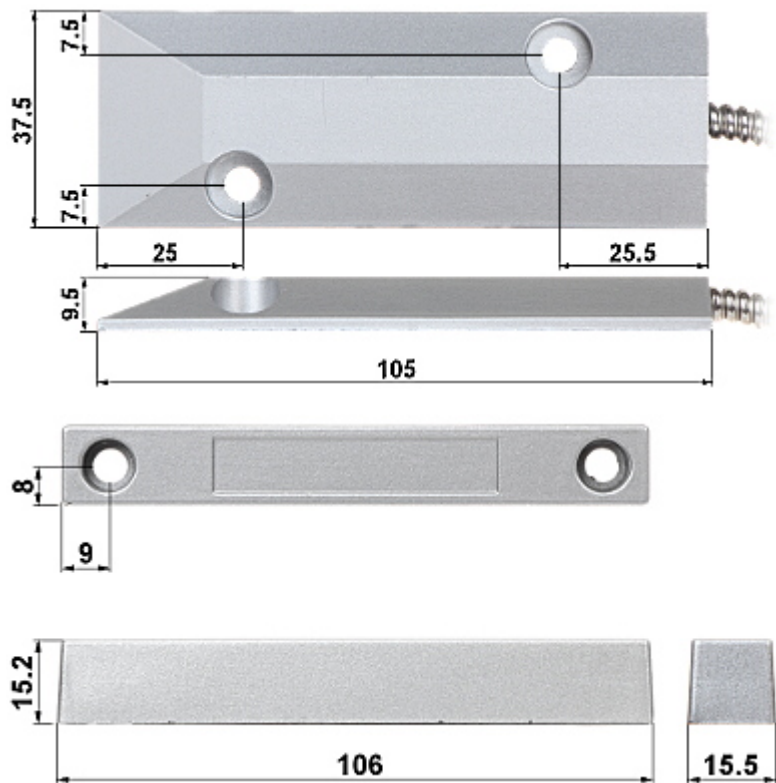


### SPECIFICATION

Detection:	Opening the door or window
Maximum reed switched voltage:	20 V
Maximum switched current:	10 mA
Make distance:	40 mm
Break distance:	65 mm
Main features:	<ul style="list-style-type: none"><li>• Rugged, metal sealed body</li><li>• NC output - a magnet close to a reed switch - does not trigger an alarm, the contacts are closed</li><li>• Length of the cables : 40 cm</li><li>• The cables are protected with a metal spiral tube with a length of 36.5 cm</li></ul>
Color:	Silver
Weight:	0.17 kg (total)
Dimensions:	105 x 37.5 x 9.5 mm - Reed switch 106 x 15.5 x 15.2 mm - Magnet
Guarantee:	2 years

### PRESENTATION

Dimensions:



In the kit:

