

Code: KN-CA55W

GATE MAGNETIC DETECTOR KN-CA55W

Net: 4.15 USD Gross: 5.10 USD

The magnetic contacts can be used wherever required for controlling the status of doors, windows and/or other movable elements, e.g. for protection or monitoring of access to particular sites, spaces, facilities, in automatic control systems, etc.

The contact is designed for surface mounting.

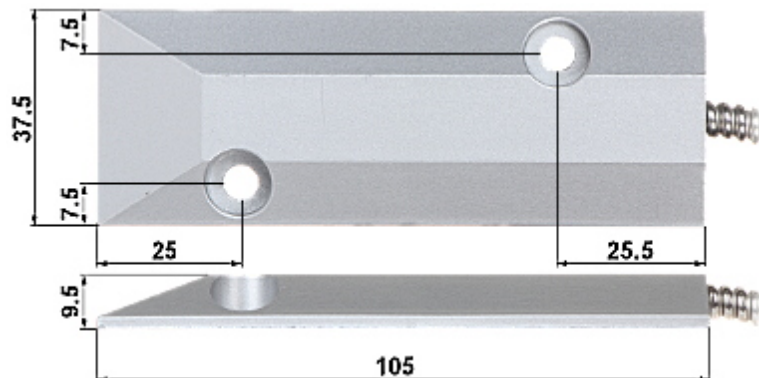


SPECIFICATION

Detection:	Opening the door or window
Maximum switching voltage of the magnetic contact:	20 V
Maximum switching current:	10 mA
Make distance:	19 mm
Break distance:	20 mm
Main features:	<ul style="list-style-type: none">• Rugged, metal sealed body• NC output• Length of the cables : 40 cm• The cables are protected with a metal spiral tube with a length of 36.5 cm
Color:	Silver
Weight:	0.17 kg (total)
Dimensions:	105 x 37.5 x 9.5 mm - Reed switch 106 x 15.5 x 15.2 mm - Magnet
Guarantee:	2 years

PRESENTATION

Dimensions:



DELTA-OPTI Monika Matysiak; <https://www.delta.poznan.pl>
POL; 60-713 Poznań; Graniczna 10
e-mail: delta-opti@delta.poznan.pl; tel: +(48) 61 864 69 60



In the kit:

