

Code: KN-D3

GATE MAGNETIC DETECTOR KN-D3

Net: 40.83 PLN Gross: 50.22 PLN

The KN-D3 gate magnetic detector is designed to surface mount.

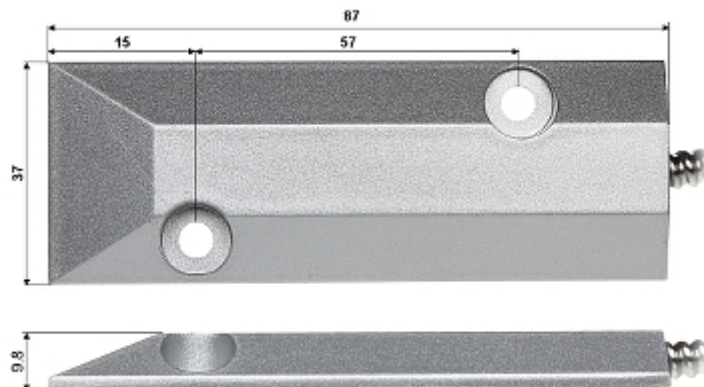


SPECIFICATION

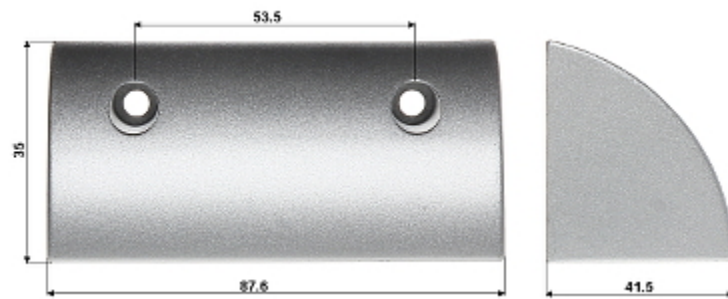
Detection:	Gate opening
Maximum switching voltage of the magnetic contact:	100 V
Maximum switching current:	500 mA
Make distance:	38 mm
Break distance:	40 mm
Main features:	<ul style="list-style-type: none">• Rugged, metal sealed body, Aluminum• Armored cables• Length of the cable : 35 cm
Weight:	0.3 kg
Dimensions:	<ul style="list-style-type: none">• 87 x 37 x 9.8 mm - Reed switch• 87.6 x 35 x 41.5 mm - magnet
Guarantee:	2 years

PRESENTATION

Dimensions:



Dimensions:



In the kit:

