

Code: S1401D-SKM

VIDEO DOORPHONE INTEGRATED WITH MAILBOX **S1401D-SKM** VIDOS

Net: **1 541.82 PLN** Gross: **1 896.44 PLN**

Video doorphone integrated with one-way mailbox. The box is designed for mounting in a fence post or wall. Thanks to the use of the highest quality materials, it is resistant to weather conditions.

The video doorphone has been equipped with a color camera with the possibility of adjusting horizontally and vertically in the range of several degrees.

The S1401D-SKM is dedicated for cooperation with video doorphones and panels compatible with the VIDOS DUO digital system.



SPECIFICATION

Compatibility:	VIDOS DUO
Sensor:	1/2.7", 2.0 Mpx
View angle:	170 °
IR illuminator:	—
LED illuminator:	✓
Fingerprint reader built-in:	—
proximity reader built-in:	—
Built-in keypad:	✓
The number of subscribers served:	1
Video output:	compatible with the VIDOS DUO digital video doorphone system
Main features:	<ul style="list-style-type: none">• Integrated mailbox - Through• Fisheye lens• Wiring - 2 wires without polarity• Relay output : 1 pcs or 2 pcs - B5 module• Support up to 12 indoor devices (monitors / uniphones)• Touch control keys• Illuminated buttons and signboard for the surname• PIR detectors support• Permanent or cyclical zoom-up of the observed image• Electric strikes and electromagnetic locks support• Electric lock supply: 12V DC / max. 300mA• Call start and lock opening indicator
Power supply:	24 V DC
Power consumption:	≤ 3 W (operation) ≤ 0.8 W (Standby mode)

DELTA-OPTI Monika Matysiak; <https://www.delta.poznan.pl>
POL; 60-713 Poznań; Graniczna 10
e-mail: delta-opti@delta.poznan.pl; tel: +(48) 61 864 69 60

Housing:	<ul style="list-style-type: none"> • Stainless steel - Front panel, Rear panel • Steel galvanized - Drawer
Color:	Silver
"Index of Protection":	IP54
Operation temp:	-18 °C ... 55 °C
Weight:	4.54 kg
Dimensions:	<ul style="list-style-type: none"> • Front panel : 285 x 350 mm • Rear panel : 260 x 110 mm • Adjustable depth of the box : 260 ... 410 mm
Manufacturer / Brand:	VIDOS
Guarantee:	2 years

PRESENTATION

Front panel:

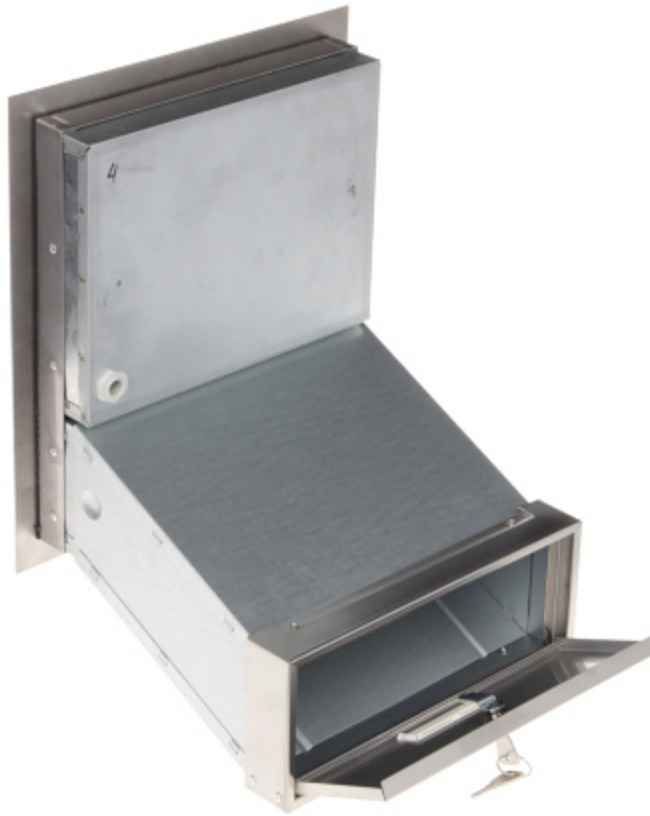


View after removing the front panel:



Rear view:





The depth of the box is adjustable:



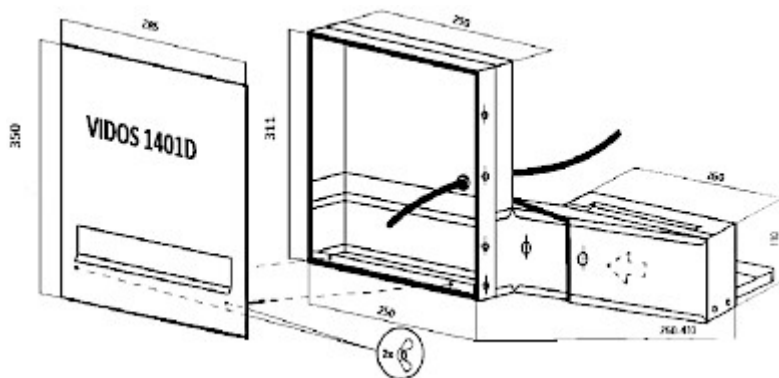
Front panel - view from the wall side:



Connectors description:



Dimensions:



In the kit:

