

Code: DH-ITC237-PW1B-IRZ

# IP CAMERA ANPR **DH-ITC237-PW1B-IRZ** - 1080p 2.7 ... 12 mm - **MOTOZOOM DAHUA**

Net: **653.52 EUR** Gross: **803.83 EUR**

The IP ANPR (Automatic Number Plate Recognition) Camera is designed for auto recognition of the vehicle number plates.

The used motozoom lens with 2.7 ... 12 mm focal length allows to remote view angle adjustment.

PoE powering possibility, compatible with the 802.3af standard makes the device more universal and easier to install.



## SPECIFICATION

Standard:	TCP/IP
Sensor:	1/2.8 " Progressive Scan CMOS
Matrix size:	2.1 Mpx
Resolution:	1920 x 1080 - 1080p
Lens:	2.7 ... 12 mm - <b>Motozoom</b>
View angle:	101 ° ... 36 °
Range of IR illumination:	3 ... 8 m
Optimal distance for ANPR monitoring:	3 ... 8 m
S/N ratio:	> 50 dB (AGC off)
Compression:	H.264 / MJPEG
Main stream frame rate:	25 fps - 1080p
Network interface:	10/100 Base-T (RJ-45)
Network protocols:	IPv4/IPv6, HTTP, TCP/IP, NTP, DHCP
WEB Server:	Built-in, NVR compliance
Max. number of on-line users:	20
ONVIF:	—
Memory card slot:	Micro SD memory cards up to 64GB support (possible local recording)
Alarm inputs / outputs:	2 / 1
Audio:	<ul style="list-style-type: none"><li>• External microphone input</li><li>• Audio output</li><li>• Bi-directional audio streaming support</li></ul>

RS-485 interface:	—
Mobile phones support:	—
Main features:	<ul style="list-style-type: none"> <li>• Max. speed of a moving vehicle : 40 km/h</li> <li>• Image analysis : License plate recognition, Gate opening, White list - embedded, Loop detection</li> <li>• Motozoom lens - Control from a Web browser</li> <li>• ICR - Movable InfraRed filter</li> <li>• Day/Night mode (color/b&amp;w/auto)</li> </ul>
Power supply:	<ul style="list-style-type: none"> <li>• PoE (802.3af),</li> <li>• 12 V DC / 1000 mA</li> </ul>
Power consumption:	≤ 12 W
Housing:	Compact, Metal / Plastic
Color:	White
"Index of Protection":	IP67
Vandal-proof:	IK10
Operation temp:	-40 °C ... 60 °C
Weight:	1.18 kg
Dimensions:	297 x 95 x 95 mm
Supported languages:	English
Manufacturer / Brand:	DAHUA
Guarantee:	<b>3 years</b>

## PRESENTATION

Front view:



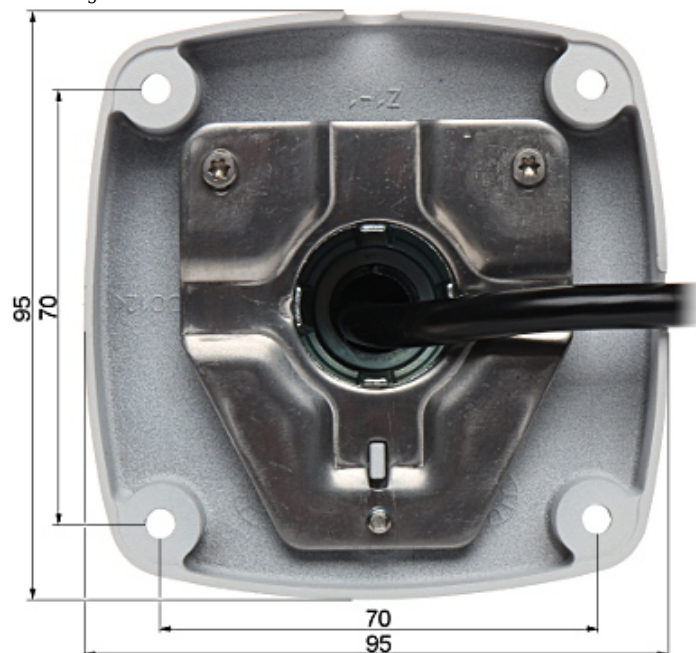
Side view:



Bottom view:



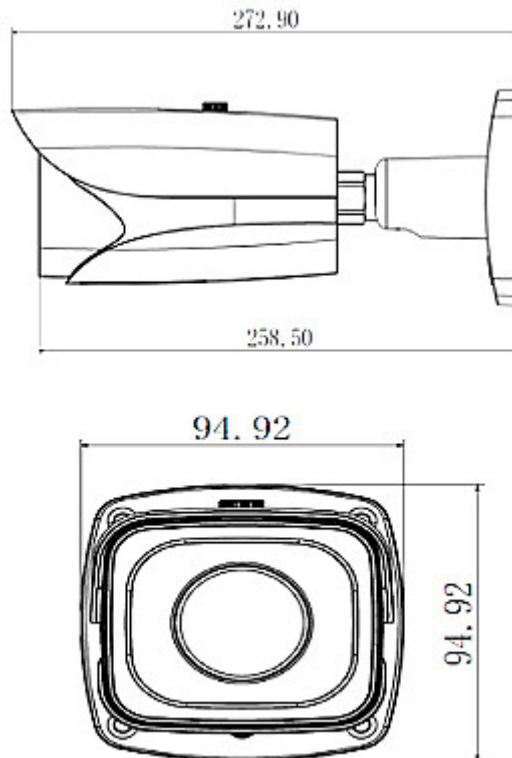
Mounting side view:



Camera connectors:



Camera dimensions:



In the kit:



The ANPR algorithm test used in DAHUA cameras:

:

## OUR OPINIONS



- o Motozoom lens.



DELTA-OPTI Monika Matysiak; <https://www.delta.poznan.pl>  
POL; 60-713 Poznań; Graniczna 10  
e-mail: [delta-opti@delta.poznan.pl](mailto:delta-opti@delta.poznan.pl); tel: +(48) 61 864 69 60