

Code: ITC437-PW6M-IZ-GN

IP CAMERA ANPR **ITC437-PW6M-IZ-GN** - 4 Mpx 10 ... 50 mm - **MOTOZOOM DAHUA**

Net: **6 751.00 PLN** Gross: **8 303.73 PLN**

The IP ANPR (Automatic Number Plate Recognition) Camera is designed for auto recognition of the vehicle number plates.

The used motozoom lens with 10 ... 50 mm focal length allows to remote view angle adjustment.

PoE powering possibility, compatible with the 802.3at standard makes the device more universal and easier to install.



SPECIFICATION

Standard:	TCP/IP
Sensor:	1/1.8 " Progressive Scan CMOS
Matrix size:	4 Mpx
Resolution:	2688 x1520 - 4 Mpx , 1920 x 1080 - 1080p , 1280 x 720 - 720p
Lens:	10 ... 50 mm - Motozoom
View angle:	41 ° ... 9.3 °
Range of IR illumination:	25 m
Compression:	H.265 / H.264 / MJPEG
Main stream frame rate:	25 fps - 1080p
Network interface:	100/1000 Base-T (RJ-45)
Network protocols:	IPv4/IPv6, HTTP, TCP/IP, UDP, NTP, DHCP, DNS
WEB Server:	Built-in
Memory card slot:	Micro SD memory cards up to 64GB support (possible local recording)
Alarm inputs / outputs:	3 / 3
Audio:	<ul style="list-style-type: none">• External microphone input• Audio output• Bi-directional audio streaming support
RS-485 interface:	✓
Mobile phones support:	—

Main features:	<ul style="list-style-type: none"> • Motozoom lens • WDR - 96 dB - Wide Dynamic Range • 3D-DNR - Digital Noise Reduction • Built-in LPR Deep learning engine • ANR - Automatic Network Replenishment allows to save image to the card when the network connection with DVR is break (network failure) and next synchronize its • Image analysis : License plate recognition, vehicle type recognition, vehicle brand and model recognition, vehicle color recognition, vehicle logo, detection of vehicles without a license plate, overlaying the image with time, address (channel position), lane (number/direction), plate (number and color), vehicle (speed, color, type) • ICR - Movable InfraRed filter • Day/Night mode (color/b&w/auto)
Power supply:	<ul style="list-style-type: none"> • PoE (802.3at), • 12 V DC, • 24 V AC
Power consumption:	< 20 W
Housing:	Compact, Metal + Plastic
Color:	White + Black
"Index of Protection":	IP67
Vandal-proof:	—
Operation temp:	-30 °C ... 65 °C
Weight:	2.01 kg (with bracket)
Dimensions:	<ul style="list-style-type: none"> • 371 x 125 x 106 mm (without bracket) • 515 x 125 x 183 mm (with bracket)
Supported languages:	English
Manufacturer / Brand:	DAHUA
Guarantee:	3 years

PRESENTATION



Side view:



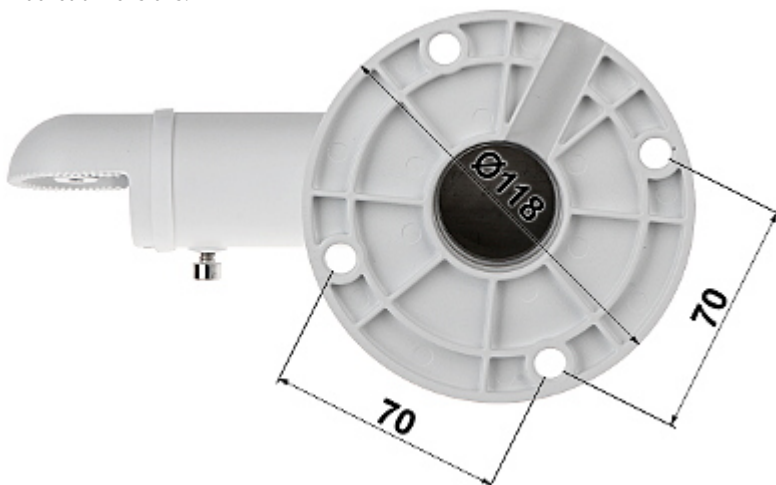
Bottom view:



Memory card slot:



Bracket dimensions:

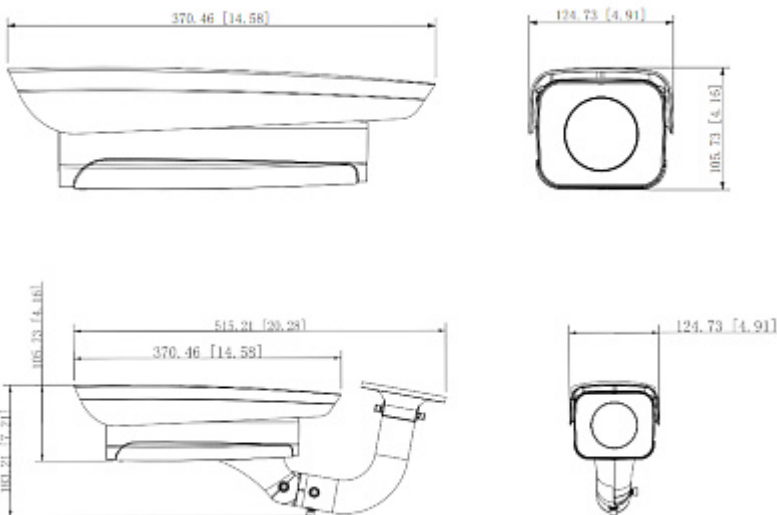


Camera connectors:





Dimensions:



See how to initialize DAHUA cameras:

:

In the kit:



OUR OPINIONS

DELTA-OPTI Monika Matysiak; <https://www.delta.poznan.pl>
 POL; 60-713 Poznań; Graniczna 10
 e-mail: delta-opti@delta.poznan.pl; tel: +(48) 61 864 69 60



- Motozoom lens.

PACKAGE

Dimensions (L x W x H): 0x0x0 mm	Gross Weight: 0 kg
----------------------------------	--------------------

