

Code: B3

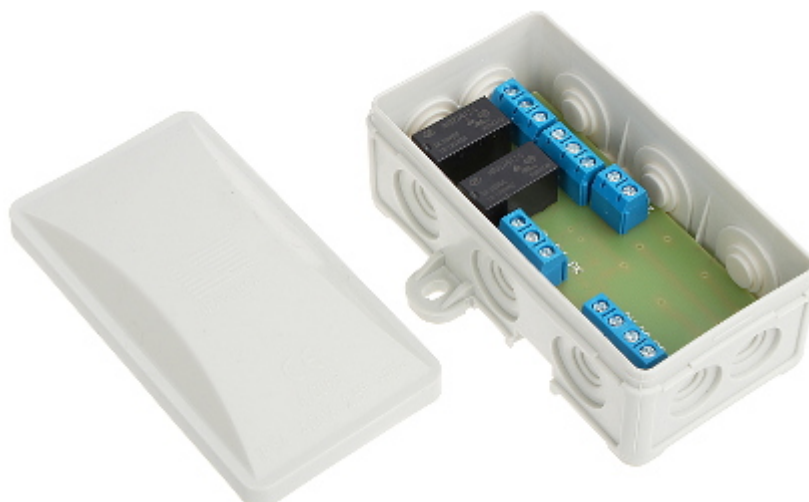
## UNIVERSAL CONTROL MODULE 24V **B3** VIDOS

Net: **18.04 EUR** Gross: **22.19 EUR**

The B3 control module allows to increase the capabilities of the VIDOS video doorphone system with the possibility of controlling an additional automatic gate. The device requires connection to both input lines of the monitor.

It is possible to use the B3 module in the case of using one or two gate stations and independent control of individual gate drives.

**Attention!** The device works only with VIDOS internal panels equipped with the automatic gate drive control function.



### SPECIFICATION

Number of relay outputs:	2
Power supply:	14.5 V DC - From internal panel
Relay maximal load:	1 A / 24 V DC
Output:	1 x NO/NC
Main features:	<ul style="list-style-type: none"><li>• Input to an additional bell button</li><li>• The possibility of using 2 gate stations</li><li>• Independent control of the gates</li></ul>
Weight:	0.06 kg
Dimensions:	95 x 70 x 40 mm
Manufacturer / Brand:	VIDOS
Guarantee:	<b>3 years</b>

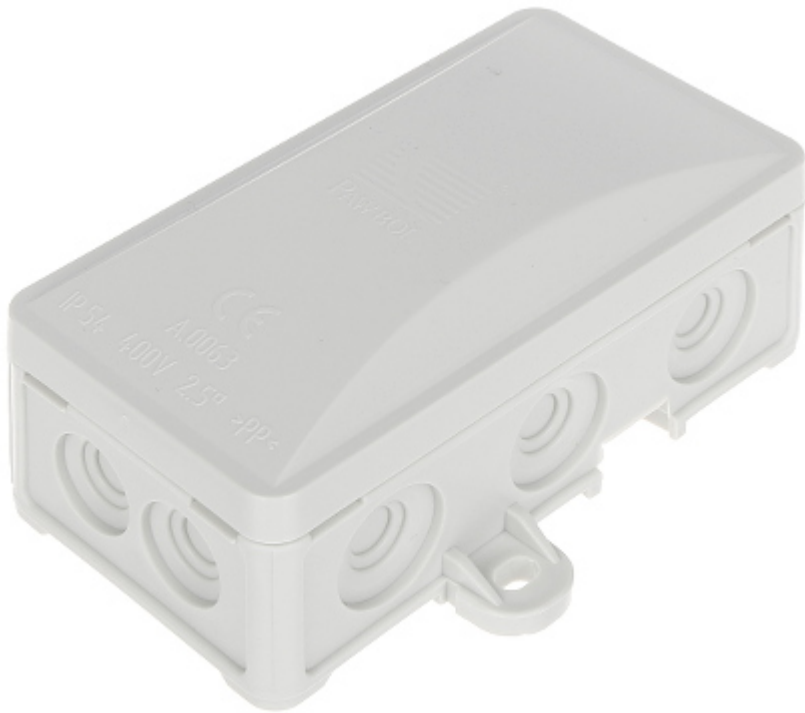
### PRESENTATION

Top view:



Side view:



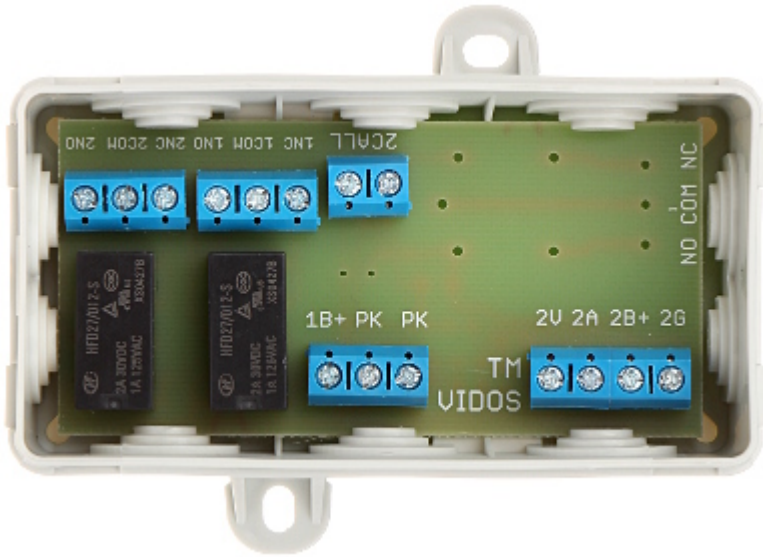


Mounting side view:

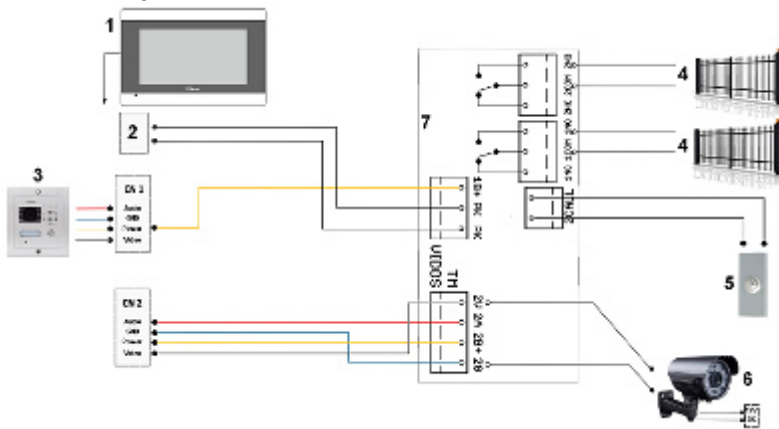


Internal view (after open the enclosure):





Connection diagram:



1. Indoor panel
2. "BRAMA" output
3. Door station
4. Automatic gate
5. Doorbell button
6. Camera
7. B3 Module

**PACKAGE**

Dimensions (L x W x H): 0x0x0 mm	Gross Weight: 0 kg
----------------------------------	--------------------