

Code: SD49212T-HN-S2

IP SPEED DOME CAMERA OUTDOOR **SD49212T-HN-S2** - 1080p 5.3 ... 64 mm DAHUA

Net: **608.33 EUR** Gross: **748.25 EUR**

IP camera equipped with very good high resolution sensor. Due to above it is perfect solution for surveillance systems requiring persons or vehicles recognition. Built-in IR illuminator allows to operate at night conditions, and vari-focal lens with wide range of view angle adjustment enables optimal set the view field of camera to all conditions. The range of IR illumination according to the manufacturer data, depends on outer conditions (visibility - air transparency, environment, wall colors ie. scene reflectance).

PoE powering possibility, compatible with the 802.3at standard makes the device more universal and easier to install.

The "Starlight" series cameras provide a clear color image even at very poor lighting.

For a few models of IP cameras working at $\geq 1920 \times 1080$ resolution we recommend to use of network with 1Gb/s bandwidth.



SPECIFICATION

Standard:	TCP/IP
Sensor:	1/2.8 " STARVIS™ CMOS
Matrix size:	2.1 Mpx
Resolution:	1920 x 1080 - 1080p 1280 x 720 - 720p
Scanning system:	Progressive
Lens:	5.3 ... 64 mm
View angle:	• 58 ° ... 4.8 ° (manufacturer data) • 57 ° ... 5.0 ° (our tests result)
Optical zoom:	x 12
Digital zoom:	x 16
Range of IR illumination:	100 m
S/N ratio:	> 50 dB (AGC off)
Video output:	—
Preset rotation speed:	240 °/s (horizontal) 200 °/s (vertical)
Rotation speed (manual control):	0.1 °/s ... 200 °/s (horizontal) 0.1 °/s ... 120 °/s (vertical)
Horizontal rotation range:	360 ° - continuous

DELTA-OPTI Monika Matysiak; <https://www.delta.poznan.pl>
POL; 60-713 Poznań; Graniczna 10
e-mail: delta-opti@delta.poznan.pl; tel: +(48) 61 864 69 60

Vertical rotation range:	-15 ° ... 90 °
RS-485 interface:	—
Number of presets:	300
Horizontal scan:	✓
Route settings:	8
Image compression method:	H.265+ / H.265 / H.264+ / H.264 / MJPEG
Bitrate:	448 ... 8192 kbps - H.264 / H.265
Alarm inputs / outputs:	2 / 1
Audio:	<ul style="list-style-type: none"> • External microphone input • Audio output • Bi-directional audio streaming support • Audio detection
Main stream frame rate:	25 fps - 1080p
Network interface:	10/100 Base-T (RJ-45)
Network protocols:	IPv4/IPv6, HTTP, HTTPS, SSL, TCP/IP, UDP, UPnP, ICMP, IGMP, SNMP, RTSP, RTP, SMTP, NTP, DHCP, DNS, PPPoE, DDNS, FTP, IP Filter, QoS, Bonjour, IEEE 802.1x, Multicast, RTMP
WEB Server:	Built-in, NVR compliance
Max. number of on-line users:	20
ONVIF:	16.12
Memory card slot:	Micro SD memory cards up to 256GB support (possible local recording)
Mobile phones support:	Port no.: 37777 or access by a cloud (P2P) <ul style="list-style-type: none"> • Android: Free application gDMSS Plus or DMSS • iOS (iPhone): Free application iDMSS Plus or DMSS
Default admin user / password:	admin / - The administrator password should be set at the first start
Default IP address:	192.168.1.108
Web browser access ports:	80, 37777
PC client access ports:	37777
Mobile client access ports:	37777
Port ONVIF:	80
RTSP URL:	rtsp://admin:hasło@192.168.1.108:554/cam/realmonitor?channel=1&subtype=0 - Main stream rtsp://admin:hasło@192.168.1.108:554/cam/realmonitor?channel=1&subtype=1 - Sub stream
Main features:	<ul style="list-style-type: none"> • 2D-DNR, 3D-DNR - Digital Noise Reduction • WDR - 120 dB - Wide Dynamic Range • ROI - improve the quality of selected parts of image • F-DNR (Defog) - Reduction of image noise caused by precipitation • BLC/HLC - Back Light / High Light Compensation • ICR - Movable InfraRed filter • Configurable Privacy Zones - 24 • Motion Detection • Sharpness - sharper image outlines • Mirror - Mirror image • Day/night mode • Privacy zones - max. 24 • IVS analysis : crossing the line (tripwire), intrusion, abandoned/missing object, face detection
Power supply:	<ul style="list-style-type: none"> • PoE (802.3at), • 12 V DC / 3 A (power adapter not included)
Power consumption:	≤ 22 W



Housing:	Speed Dome, Metal / Plastic
Color:	White + Black
Operation temp:	-40 °C ... 70 °C
"Index of Protection":	IP66
Weight:	3.75 kg (with bracket)
Dimensions:	160 x 295 x 357 mm (with bracket)
Supported languages:	English
Manufacturer / Brand:	DAHUA
Guarantee:	3 years

PRESENTATION

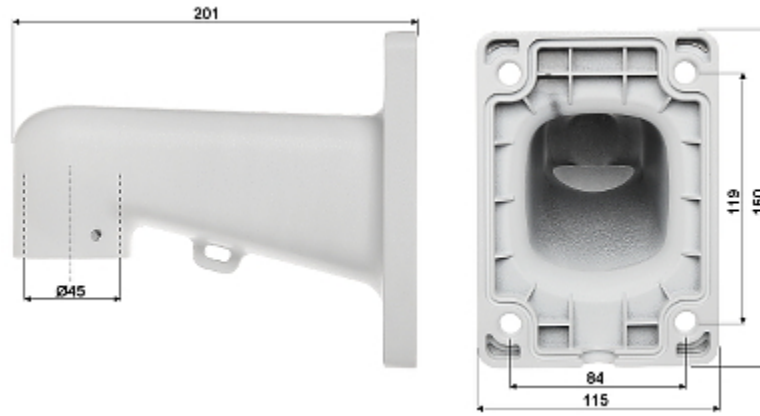
Bottom view:



Micro SD card slot is located inside the camera:



Bracket dimensions:



Connectors:



Connectors description:



See how to initialize DAHUA cameras:

:

In the kit:



OUR TESTS

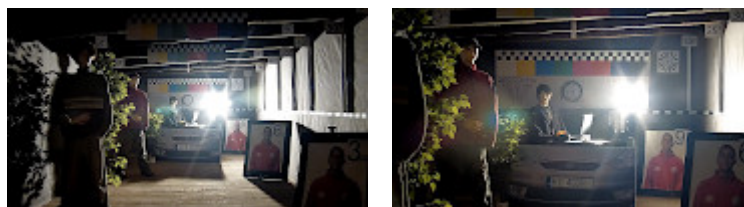
Camera image at artificial illumination (about 30Lux):



Camera image at night conditions with internal built-in IR illuminator on:



Camera image at direct strong light opposite to camera:



OUR OPINIONS



- The "Starlight" series cameras provide a clear color image even at very poor lighting.