

Code: PTZ1C203UE-GN-W

PTZ OUTDOOR IP CAMERA **PTZ1C203UE-GN-W** Wi-Fi, - 1080p 2.7 ... 8.1 mm DAHUA

Net: **376.92 EUR** Gross: **463.61 EUR**

IP camera equipped with very good high resolution sensor. Due to above it is perfect solution for surveillance systems requiring persons or vehicles recognition. Thanks to the "Starlight" technology used, the camera only needs very low lighting to obtain a clear color image. Built-in Infra-Red illuminator enables night monitoring. The range of IR illumination according to the manufacturer data, depends on outer conditions (visibility - air transparency, environment, wall colors ie. scene reflectance). For a few models of IP cameras working at $\geq 1920 \times 1080$ resolution we recommend to use of network with 1Gb/s bandwidth. The Wi-Fi module used in the device allows the device to operate also in places with limited wiring possibilities.



SPECIFICATION

Standard:	TCP/IP
Sensor:	1/2.8 " STARVIS™ CMOS
Matrix size:	2.1 Mpx
Resolution:	1920 x 1080 - 1080p 1280 x 960 - 1.3 Mpx 1280 x 720 - 720p
Lens:	2.7 ... 8.1 mm
View angle:	• 107 ° ... 46 ° (manufacturer data) • 100 ° ... 46 ° (our tests result)
Optical zoom:	x 3
Digital zoom:	x 16
Range of IR illumination:	20 m
Video output:	—
Rotation speed (manual control):	• 6 °/s (horizontal), • 3 °/s (vertical)
Preset rotation speed:	—
Horizontal rotation range:	0 ° ... 180 ° - Rotation of the head is limited by stops
Vertical rotation range:	-5 ° ... 55 °

DELTA-OPTI Monika Matysiak; <https://www.delta.poznan.pl>
POL; 60-713 Poznań; Graniczna 10
e-mail: delta-opti@delta.poznan.pl; tel: +(48) 61 864 69 60

RS-485 interface:	—
Number of presets:	—
Horizontal scan:	—
Route settings:	—
Image compression method:	H.265+ / H.265 / H.264+ / H.264 / MJPEG
Bitrate:	216 ... 8192 kbps - H.264 , 108 ... 8192 kbps - H.265
Alarm inputs / outputs:	—
Main stream frame rate:	25 fps @ 1080p
Memory card slot:	Micro SD memory cards up to 256GB support (possible local recording)
Network interface:	<ul style="list-style-type: none"> • 10/100 Base-T (RJ-45) • Wi-Fi module
Network protocols:	IPv4/IPv6, HTTP, HTTPS, IEEE 802.1x, QoS, FTP, SMTP, UPnP, DNS, DDNS, NTP, SNMP, ARP, RTP, RTSP, RTMP, RTCP, TCP/IP, UDP, IGMP, ICMP, DHCP, PPPoE
WEB Server:	Built-in, NVR compliance
Max. number of on-line users:	20
ONVIF:	18.06
Audio:	<ul style="list-style-type: none"> • External microphone input • Audio output • Bi-directional audio streaming support
Mobile phones support:	Port 37777 <ul style="list-style-type: none"> • Android: Free application DMSS • iOS (iPhone): Free application DMSS
Default admin user / password:	admin / - The administrator password should be set at the first start
Default IP address:	192.168.1.108
Web browser access ports:	80, 37777
PC client access ports:	37777
Mobile client access ports:	37777
Port ONVIF:	80
RTSP URL:	rtsp://admin:hasło@192.168.1.108:554/cam/realmonitor?channel=1&subtype=0 - Main stream rtsp://admin:hasło@192.168.1.108:554/cam/realmonitor?channel=1&subtype=1 - Sub stream
Main features:	<ul style="list-style-type: none"> • Built-in Wi-Fi module • WDR - 120 dB - Wide Dynamic Range • 2D-DNR, 3D-DNR - Digital Noise Reduction • EIS - Electronic Image Stabilization • ROI - improve the quality of selected parts of image • F-DNR (Defog) - Reduction of image noise caused by precipitation • ICR - Movable InfraRed filter • BLC - Back Light Compensation • HLC - High Light Compensation (spot) • Day/night mode • Motion Detection • Heat map - the selection in the image by corresponding colors the areas with different traffic • IVS analysis : crossing the line (tripwire), intrusion, abandoned/missing object, face detection
Power supply:	12 V DC / 920 mA
Power consumption:	≤ 11 W
Housing:	Compact, Aluminum



Color:	White
"Index of Protection":	IP66
Operation temp:	-30 °C ... 60 °C
Weight:	1 kg
Dimensions:	<ul style="list-style-type: none"> • 195 x 90 x 103 mm - Wall mounting • 191 x 90 x 112 mm - Ceiling mounting
Supported languages:	Polish, English, Czech, French, Spanish, Dutch, German, Portuguese, Russian, Italian
Manufacturer / Brand:	DAHUA
Guarantee:	3 years

PRESENTATION



Side view:



Memory card slot:



Mounting side view:





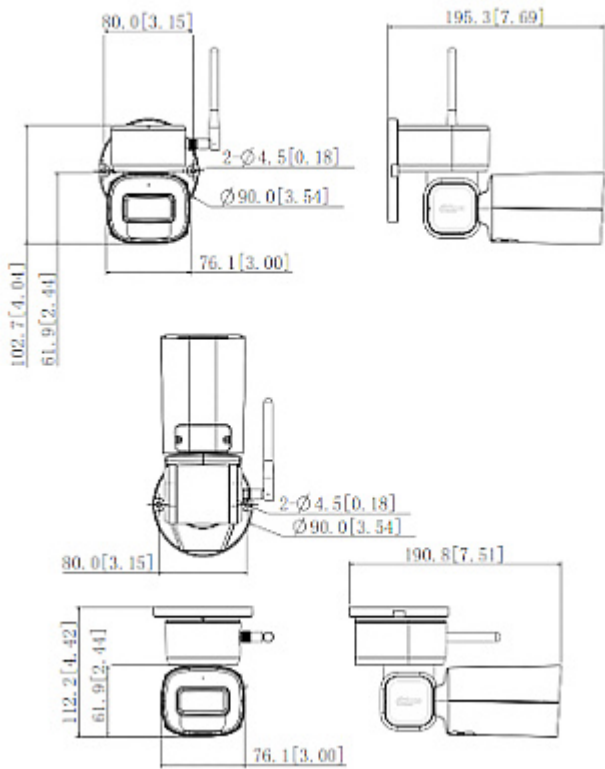
Camera connectors:



Connectors description:



Dimensions:



See how to initialize DAHUA cameras:

:

In the kit:



OUR TESTS

Camera image at artificial illumination (about 30Lux):



Camera image at night conditions with internal built-in IR illuminator on:



DELTA-OPTI Monika Matysiak; <https://www.delta.poznan.pl>
 POL; 60-713 Poznań; Graniczna 10
 e-mail: delta-opti@delta.poznan.pl; tel: +(48) 61 864 69 60

Camera image at direct strong light opposite to camera:



PACKAGE

Dimensions (L x W x H): 0x0x0 mm	Gross Weight: 0 kg
----------------------------------	--------------------



DELTA-OPTI Monika Matysiak; <https://www.delta.poznan.pl>
POL; 60-713 Poznań; Graniczna 10
e-mail: delta-opti@delta.poznan.pl; tel: +(48) 61 864 69 60