

Code: SD6AE530U-HNI

IP SPEED DOME CAMERA OUTDOOR **SD6AE530U-HNI** - 5.0 Mpx 6 ... 180 mm DAHUA

Net: **10 213.00 PLN** Gross: **12 561.99 PLN**

IP camera equipped with very good high resolution sensor. Due to above it is perfect solution for surveillance systems requiring persons or vehicles recognition.

Built-in IR illuminator allows to operate at night conditions, and vari-focal lens with wide range of view angle adjustment enables optimal set the view field of camera to all conditions. The range of IR illumination according to the manufacturer data, depends on outer conditions (visibility - air transparency, environment, wall colors ie. scene reflectance).

The biggest advantage of the camera is the lens with x30 optical zoom, which together with long range IR illuminator allow to 24 hours surveillance without any additional lighting even at area of several hundred meters.

For a few models of IP cameras working at 5 Mpx resolution we recommend to use of network with 1Gb/s bandwidth.



SPECIFICATION

Standard:	TCP/IP
Sensor:	1/1.9 " STARVIS™ CMOS
Matrix size:	6.0 Mpx
Resolution:	2560 x 1920 - 5.0 Mpx 2048 x 1536 - 3.0 Mpx 1920 x 1080 - 1080p 1280 x 960 - 1.3 Mpx 1280 x 720 - 720p
Scanning system:	Progressive
Lens:	6 ... 180 mm
View angle:	• 61 ° ... 2.1 ° (manufacturer data) • 48 ° ... 2.7 ° (our tests result)
Optical zoom:	x 30
Digital zoom:	x 16
Range of IR illumination:	200 m
S/N ratio:	> 56 dB (AGC off)
Video output:	1 Vpp / 75 Ω
Preset rotation speed:	max. 240 °/s
Rotation speed (manual control):	0.1 °/s ... 240 °/s (horizontal) 0.1 °/s ... 120 °/s (vertical)

DELTA-OPTI Monika Matysiak; <https://www.delta.poznan.pl>
POL; 60-713 Poznań; Graniczna 10
e-mail: delta-opti@delta.poznan.pl; tel: +(48) 61 864 69 60

Horizontal rotation range:	360 ° continuous
Vertical rotation range:	-20 ° ... 90 °
RS-485 interface:	✓
Protocols:	Pelco-D, Pelco-P, DH-SD Auto detection
Number of presets:	300
Horizontal scan:	✓
Route settings:	8
Image compression method:	H.265 / H.264 / MJPEG
Bitrate:	56 ... 8192 kbps - H.265 / H.264 56 ... 11520 kbps - MJPEG
Alarm inputs / outputs:	7 / 2
Audio:	<ul style="list-style-type: none"> • 1 Audio input • 1 Audio output • Audio detection
Main stream frame rate:	1 ... 25 fps - 5.0 Mpx 1 ... 50 fps - 1080p
Network interface:	10/100 Base-T (RJ-45)
Network protocols:	HTTP, HTTPS, TCP/IP, IPv4/IPv6, UDP, UPnP, ICMP, IGMP, RTP, SNMP, NTP, DHCP, DNS, PPPoE, DDNS, FTP, IP Filter, QoS, Bonjour, IEEE 802.1x
WEB Server:	Built-in, NVR compliance
Max. number of on-line users:	20
ONVIF:	2.42
Mobile phones support:	Port 37777 <ul style="list-style-type: none"> • Android: Free application gDMSS Plus • iOS (iPhone): Free application iDMSS Plus
Memory card slot:	Micro SD memory cards up to 128GB support (possible local recording)
Main features:	<ul style="list-style-type: none"> • WDR - Wide Dynamic Range • 3D-DNR - Digital Noise Reduction • F-DNR (Defog) - Reduction of image noise caused by precipitation • Day/Night mode (color/b&w/auto) • WB - White Balance (ATW/AWB/manual/indoor/outdoor) • ICR - Movable InfraRed filter • Configurable Privacy Zones - 24 • BLC/HLC - Back Light / High Light Compensation • Audio detection - crossing the line (tripwire), intrusion, loitering detection, abandoned/missing object, illegal parking, fast moving, objects tracking, face detection
Power supply:	<ul style="list-style-type: none"> • Hi-PoE, • 24 V AC / 3 A (power adapter included)
Power consumption:	≤ 38 W
Housing:	Speed Dome Metal
Color:	White
Vandal-proof:	IK10
"Index of Protection":	IP67
Operation temp:	-40 °C ... 70 °C
Weight:	6.79 kg (with bracket)
Dimensions:	355 x 440 mm x 235 mm (with bracket)
Supported languages:	English
Manufacturer / Brand:	DAHUA

PRESENTATION

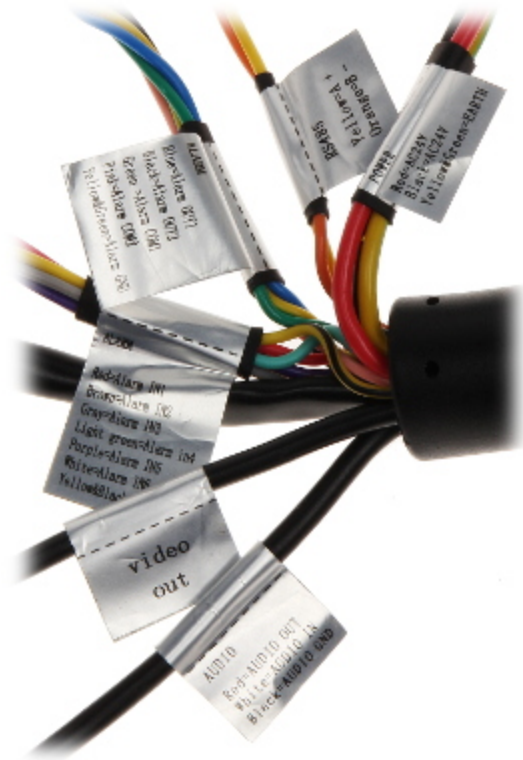
Bottom view:



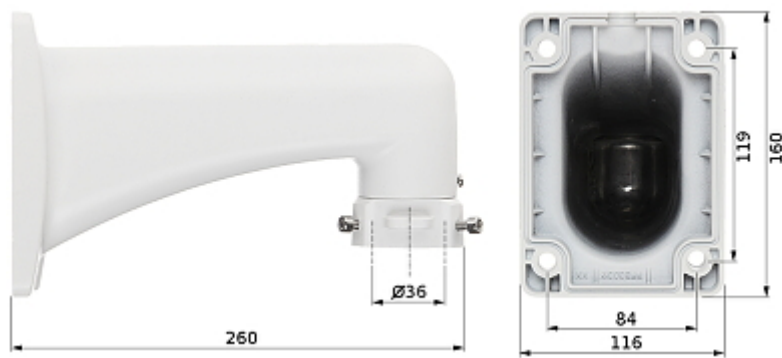
Camera connectors:



Connectors description:



Bracket dimensions:



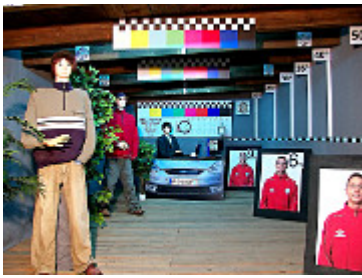
In the kit:



OUR TESTS

Camera image at artificial illumination (about 30Lux):

DELTA-OPTI Monika Matysiak; <https://www.delta.poznan.pl>
 POL; 60-713 Poznań; Graniczna 10
 e-mail: delta-opti@delta.poznan.pl; tel: +(48) 61 864 69 60



Camera image at night conditions with internal built-in IR illuminator on:



Camera image at direct strong light opposite to camera:

