

Code: SD10A248V-HNI

IP SPEED DOME CAMERA OUTDOOR **SD10A248V-HNI** - 1080p 5.7 ... 275 mm DAHUA

Net: **3 600.41 EUR** Gross: **4 428.50 EUR**

IP camera equipped with very good high resolution sensor. Due to above it is perfect solution for surveillance systems requiring persons or vehicles recognition.

Built-in IR illuminator allows to operate at night conditions, and vari-focal lens with wide range of view angle adjustment enables optimal set the view field of camera to all conditions. The range of IR illumination according to the manufacturer data, depends on outer conditions (visibility - air transparency, environment, wall colors ie. scene reflectance).

The biggest advantage of the camera is the lens with x48 optical zoom, which together with long range IR illuminator allow to 24 hours surveillance without any additional lighting even at area of several hundred meters.

For a few models of IP cameras working at $\geq 1920 \times 1080$ resolution we recommend to use of network with 1Gb/s bandwidth.



SPECIFICATION

Standard:	TCP/IP
Sensor:	1/1.9 " STARVIS™ CMOS
Matrix size:	2.1 Mpx
Resolution:	1920 x 1080 - 1080p 1280 x 960 - 1.3 Mpx 1280 x 720 - 720p
Scanning system:	Progressive
Lens:	5.7 ... 275 mm
View angle:	• 65 ° ... 1.5 ° (manufacturer data) • 63 ° ... 1.8 ° (our tests result)
Optical zoom:	x 48
Digital zoom:	x 16
Range of IR illumination:	450 m
S/N ratio:	> 55 dB (AGC off)
Video output:	1 Vpp / 75 Ω
Preset rotation speed:	• 240 °/s (horizontal) • 200 °/s (vertical)
Rotation speed (manual control):	0.1 °/s ... 200 °/s (horizontal) 0.1 °/s ... 120 °/s (vertical)

DELTA-OPTI Monika Matysiak; <https://www.delta.poznan.pl>
POL; 60-713 Poznań; Graniczna 10
e-mail: delta-opti@delta.poznan.pl; tel: +(48) 61 864 69 60

Horizontal rotation range:	360 ° continuous
Vertical rotation range:	-30 ° ... 90 °
RS-485 interface:	✓
Protocols:	DH-SD, PELCO-D/P
Number of presets:	300
Horizontal scan:	✓
Route settings:	8
Image compression method:	H.265 / H.265+ / H.264 / H.264+ / MJPEG
Bitrate:	448 ... 8192 kbps - H.265 / H.264
Alarm inputs / outputs:	7 / 2
Audio:	<ul style="list-style-type: none"> • 1 Audio input • 1 Audio output • Audio detection
Main stream frame rate:	1 ... 50 fps - 1080p
Network interface:	10/100 Base-T (RJ-45)
Network protocols:	HTTP, HTTPS, TCP/IP, IPv4/IPv6, UDP, UPnP, ICMP, IGMP, RTP, SNMP, NTP, DHCP, DNS, PPPoE, DDNS, FTP, IP Filter, QoS, Bonjour, IEEE 802.1x
WEB Server:	Built-in, NVR compliance
Max. number of on-line users:	20
ONVIF:	16.12
Mobile phones support:	Port 37777 <ul style="list-style-type: none"> • Android: Free application DMSS • iOS (iPhone): Free application DMSS
Memory card slot:	Micro SD memory cards up to 128GB support (possible local recording)
Main features:	<ul style="list-style-type: none"> • WDR - 120 dB - Wide Dynamic Range • 2D-DNR / 3D-DNR - Digital Noise Reduction • F-DNR (Defog) - Reduction of image noise caused by precipitation • ROI - improve the quality of selected parts of image • Day/Night mode (color/b&w/auto) • WB - White Balance (ATW/AWB/manual/indoor/outdoor) • ICR - Movable InfraRed filter • Configurable Privacy Zones - 24 • BLC/HLC - Back Light / High Light Compensation • EIS - Electronic Image Stabilization • Audio detection • Sharpness - sharper image outlines • Mirror - Mirror image • Control the wiper via TCP/IP • Fan cooler built-in • CVBS, SPOT output • Heat map - the selection in the image by corresponding colors the areas with different traffic • IVS analysis : crossing the line (tripwire), intrusion, abandoned/missing object, face detection, heat map, objects tracking
Power supply:	<ul style="list-style-type: none"> • Hi-PoE, • 24 V AC / 5 A (power adapter included)
Power consumption:	≤ 38 W
Housing:	Speed Dome Metal
Color:	White
Vandal-proof:	—
"Index of Protection":	IP67
Operation temp:	-40 °C ... 70 °C

Weight:	12.5 kg (without bracket)
Dimensions:	Ø 300 mm x 527 mm (without bracket)
Supported languages:	English
Manufacturer / Brand:	DAHUA
Guarantee:	3 years

PRESENTATION

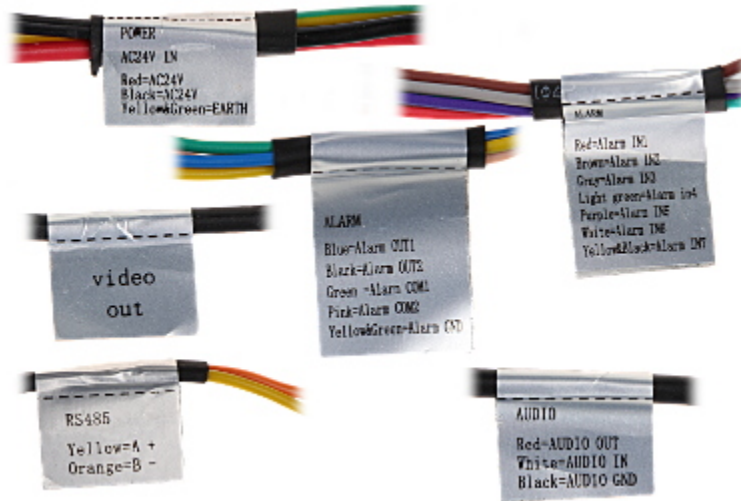
Bottom view:



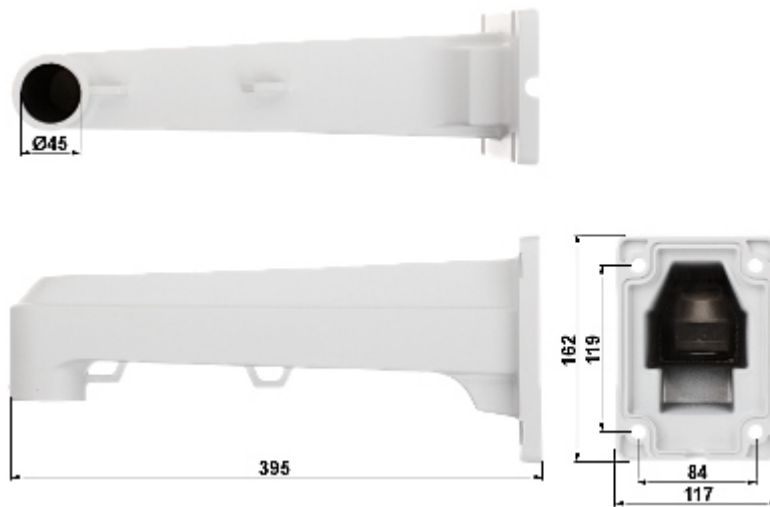
Camera connectors:



Connectors description:



Bracket dimensions:



See how to initialize DAHUA cameras:

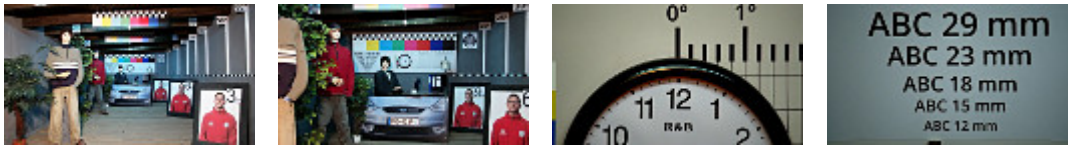
:

In the kit:



OUR TESTS

Camera image at artificial illumination (about 30Lux):



Camera image at night conditions with internal built-in IR illuminator on:



Camera image at direct strong light opposite to camera:

