

Code: SD8A840VI-HNI

# IP SPEED DOME CAMERA OUTDOOR **SD8A840VI-HNI** - 4K UHD 5.6 ... 223 mm DAHUA

Net: **3 230.81 EUR** Gross: **3 973.90 EUR**

IP camera equipped with very good high resolution sensor. Due to above it is perfect solution for surveillance systems requiring persons or vehicles recognition.

Built-in IR illuminator allows to operate at night conditions, and vari-focal lens with wide range of view angle adjustment enables optimal set the view field of camera to all conditions. The range of IR illumination according to the manufacturer data, depends on outer conditions (visibility - air transparency, environment, wall colors ie. scene reflectance).

The "Starlight" series cameras provide a clear color image even at very poor lighting. The biggest advantage of the camera is the lens with x40 optical zoom, which together with long range IR illuminator allow to 24 hours surveillance without any additional lighting even at area of several hundred meters.

For a few models of IP cameras working at  $\geq 1920 \times 1080$  resolution we recommend to use of network with 1Gb/s bandwidth.



## SPECIFICATION

Standard:	TCP/IP
Sensor:	1/1.8 " STARVIS™ CMOS
Matrix size:	8 Mpx
Resolution:	3840 x 2160 - 4K UHD , 1920 x 1080 - 1080p , 1280 x 960 - 1.3 Mpx , 1280 x 720 - 720p
Lens:	5.6 ... 223 mm
View angle:	64 ° ... 2 °
Optical zoom:	x 40
Digital zoom:	x 16
Range of IR illumination:	450 m
Video output:	1 Vpp / 75 Ω
Preset rotation speed:	• 240 °/s (horizontal) • 120 °/s (vertical)
Rotation speed (manual control):	0.1 °/s ... 240 °/s (horizontal) 0.1 °/s ... 100 °/s (vertical)
Horizontal rotation range:	360 ° continuous
Vertical rotation range:	-30 ° ... 90 °

DELTA-OPTI Monika Matysiak; <https://www.delta.poznan.pl>  
POL; 60-713 Poznań; Graniczna 10  
e-mail: [delta-opti@delta.poznan.pl](mailto:delta-opti@delta.poznan.pl); tel: +(48) 61 864 69 60

RS-485 interface:	✓
Protocols:	DH-SD, PELCO-D/P
Number of presets:	300
Horizontal scan:	✓
Route settings:	8
Image compression method:	H.265+ / H.265 / H.264+ / H.264 / MJPEG
Alarm inputs / outputs:	7 / 2
Audio:	<ul style="list-style-type: none"> <li>• 1 Audio input</li> <li>• 1 Audio output</li> <li>• Bi-directional audio streaming support</li> </ul>
Main stream frame rate:	1 ... 25 fps - 4K UHD
Network interface:	10BASE-T / 100BASE-TX (RJ-45)
Network protocols:	IPv4/IPv6, HTTP, HTTPS, SSL, TCP/IP, UDP, UPnP, ICMP, IGMP, SNMP, ARP, RTCP, RTSP, RTP, SMTP, NTP, DHCP, DNS, PPPoE, DDNS, FTP, IP Filter, QoS, Bonjour, IEEE 802.1x
WEB Server:	Built-in
Max. number of on-line users:	20
Memory card slot:	Micro SD memory cards up to 256GB support (possible local recording)
ONVIF:	✓
Mobile phones support:	Port 37777 <ul style="list-style-type: none"> <li>• Android: Free application <a href="#">DMSS</a></li> <li>• iOS (iPhone): Free application <a href="#">DMSS</a></li> </ul>
Main features:	<ul style="list-style-type: none"> <li>• WDR - 120 dB - Wide Dynamic Range</li> <li>• 2D-DNR, 3D-DNR - Digital Noise Reduction</li> <li>• EIS - Electronic Image Stabilization</li> <li>• F-DNR (Defog) - Reduction of image noise caused by precipitation</li> <li>• ROI - improve the quality of selected parts of image</li> <li>• Day/Night mode (color/b&amp;w/auto)</li> <li>• WB - White Balance (ATW/AWB/manual/indoor/outdoor)</li> <li>• ICR - Movable InfraRed filter</li> <li>• AGC - Automatic Gain Control</li> <li>• BLC/HLC - Back Light / High Light Compensation</li> <li>• Motion Detection</li> <li>• Configurable Privacy Zones - 24</li> <li>• Sharpness - sharper image outlines</li> <li>• Parking action - this function enables to locate the camera to specific position automatically if operator doesn't operate the controller for some time</li> <li>• Wiper</li> <li>• CVBS, SPOT output</li> <li>• Heat map - the selection in the image by corresponding colors the areas with different traffic</li> <li>• The device has a built-in heater</li> <li>• Intelligent Object Tracking</li> <li>• IVS analysis : crossing the line (tripwire), intrusion, abandoned/missing object, scene changing, face detection</li> </ul>
Power supply:	<ul style="list-style-type: none"> <li>• Hi-PoE,</li> <li>• 24 V AC / 3 A (power adapter included)</li> </ul>
Power consumption:	<ul style="list-style-type: none"> <li>• ≤ 26 W,</li> <li>• ≤ 38 W - Heater on</li> </ul>
Housing:	Speed Dome Metal
Color:	White
Vandal-proof:	—
"Index of Protection":	IP67
Operation temp:	-40 °C ... 70 °C
Weight:	8.5 kg

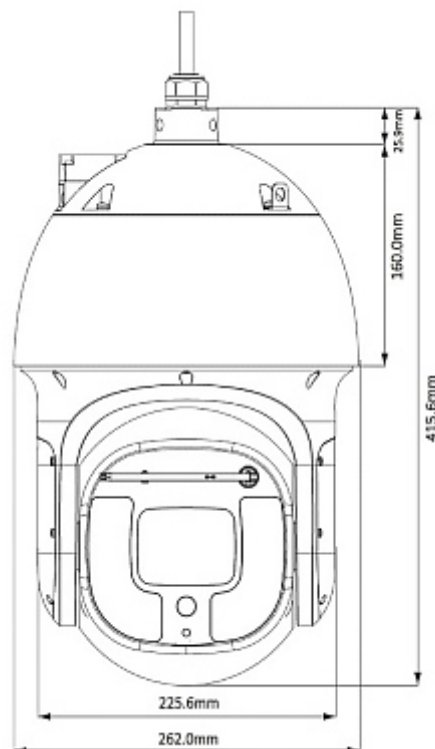
Dimensions:	Ø 262 mm x 416 mm (without bracket)
Supported languages:	English
Manufacturer / Brand:	DAHUA
Guarantee:	<b>3 years</b>

## PRESENTATION

Bottom view:



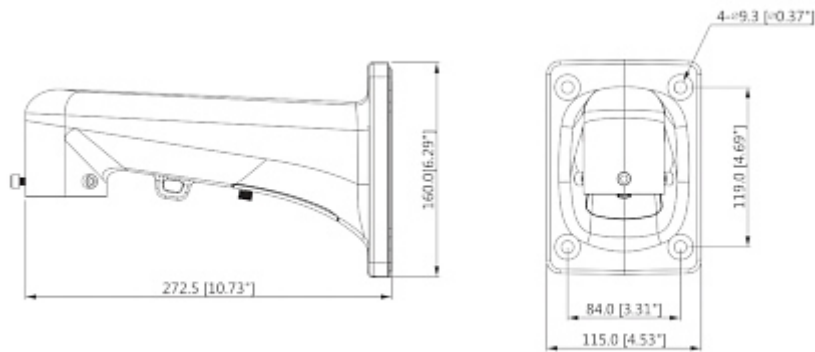
Camera dimensions:



Camera bracket:



Bracket dimensions:



See how to initialize DAHUA cameras:

:

In the kit:



## OUR OPINIONS

DELTA-OPTI Monika Matysiak; <https://www.delta.poznan.pl>  
POL; 60-713 Poznań; Graniczna 10  
e-mail: delta-opti@delta.poznan.pl; tel: +(48) 61 864 69 60



- The "Starlight" series cameras provide a clear color image even at very poor lighting.

