

Code: PTZ1A225-HNR-XA

IP SPEED DOME CAMERA OUTDOOR **PTZ1A225-HNR-XA** - 1080p 4.8 ... 120 mm DAHUA

Net: **865.27 EUR** Gross: **1 064.28 EUR**



The biggest advantage of the camera is the lens with x25 optical zoom, which together with long range IR illuminator allow to 24 hours surveillance without any additional lighting even at area of several hundred meters. Due to above it is perfect solution for surveillance systems requiring persons or vehicles recognition.

The range of IR illumination according to the manufacturer data, depends on outer conditions (visibility - air transparency, environment, wall colors ie. scene reflectance). Thanks to the "Starlight" technology used, the camera only needs very low lighting to obtain a clear color image.

For a few models of IP cameras working at $\geq 1920 \times 1080$ resolution we recommend to use of network with 1Gb/s bandwidth.

SPECIFICATION

Standard:	TCP/IP
Sensor:	1/2.8 " Progressive Scan CMOS
Resolution:	1920 x 1080
Matrix size:	2 Mpx
Resolution:	1920 x 1080 - 1080p 1280 x 960 - 1.3 Mpx 1280 x 720 - 720p
Scanning system:	Progressive
Lens:	4.8 ... 120 mm
View angle:	• 61 ° ... 2.8 ° (manufacturer data) • 57 ° ... 3.1 ° (our tests result)
Optical zoom:	x 25
Digital zoom:	x 16
Range of IR illumination:	150 m
S/N ratio:	≥ 55 dB (AGC off)
Video output:	—
Preset rotation speed:	max. 160 °/s (horizontal) max. 110 °/s (vertical)

DELTA-OPTI Monika Matysiak; <https://www.delta.poznan.pl>
POL; 60-713 Poznań; Graniczna 10
e-mail: delta-opti@delta.poznan.pl; tel: +(48) 61 864 69 60

Rotation speed (manual control):	0.1 °/s ... 120 °/s (horizontal) 0.1 °/s ... 75 °/s (vertical)
Horizontal rotation range:	360 ° continuous
Vertical rotation range:	-90 ° ... 90 °
RS-485 interface:	—
Protocols:	DH-SD, PELCO-D/P
Number of presets:	300
Horizontal scan:	✓
Route settings:	8
Park action:	Call the set function (tour, scan, etc.) after specified dwell time
Image compression method:	H.265+ H.265 / H.264 / H.264+ / MJPEG
Alarm inputs / outputs:	2 / 1
Audio:	<ul style="list-style-type: none"> • External microphone input • Audio output • Bi-directional audio streaming support • Audio detection
Main stream frame rate:	1 ... 50 fps - 1080p
Network interface:	10/100 Base-T (RJ-45)
Network protocols:	IPv4/IPv6, HTTP, HTTPS, IEEE 802.1x, QoS, FTP, SMTP, UPnP, SNMP, DNS, DDNS, NTP, RTSP, RTP, TCP/IP, UDP, IGMP, ICMP, DHCP, PPPoE, ARP, SNMPv1/v2c/v3(MIB-2), RTCP, RTMP
WEB Server:	Built-in, NVR compliance
Max. number of on-line users:	20
ONVIF:	19.12
Memory card slot:	Micro SD memory cards up to 256GB support (possible local recording)
Mobile phones support:	Port no.: 37777 or access by a cloud (P2P) <ul style="list-style-type: none"> • Android: Free application DMSS • iOS (iPhone): Free application DMSS
Default IP address:	192.168.1.108
Default admin user / password:	admin / - The administrator password should be set at the first start
Web browser access ports:	80, 37777
PC client access ports:	37777
Mobile client access ports:	37777
Port ONVIF:	80
RTSP URL:	rtsp://admin:hasło@192.168.1.108:554/cam/realmonitor?channel=1&subtype=0 - Main stream rtsp://admin:hasło@192.168.1.108:554/cam/realmonitor?channel=1&subtype=1 - Sub stream



Main features:	<ul style="list-style-type: none"> • Intelligent 3D Positioning System • WDR - 120 dB - Wide Dynamic Range • ROI - improve the quality of selected parts of image • EIS - Electronic Image Stabilization • F-DNR (Defog) - Reduction of image noise caused by precipitation • 2D-DNR, 3D-DNR - Digital Noise Reduction • ICR - Movable InfraRed filter • Configurable Privacy Zones - 24 • BLC/HLC - Back Light / High Light Compensation • Audio detection • Auto White Balance • Sharpness - sharper image outlines • AGC - Automatic Gain Control • Day/Night mode (color/b&w/auto) • IVS analysis : objects tracking, crossing the line (tripwire), intrusion, abandoned/missing object, face detection, scene changing • SMD PLUS - searching for an object classified as: human, motor vehicle, non-motor vehicle
Power supply:	<ul style="list-style-type: none"> • PoE (802.3at), • 12 V DC / 4 A (power adapter included)
Housing:	Metal
Color:	White
"Index of Protection":	IP67
Vandal-proof:	—
Operation temp:	-40 °C ... 70 °C
Weight:	3.93 kg (without bracket)
Dimensions:	153 x 161 mm x 292 mm (without bracket)
Supported languages:	Polish, English
Manufacturer / Brand:	DAHUA
Guarantee:	3 years

PRESENTATION

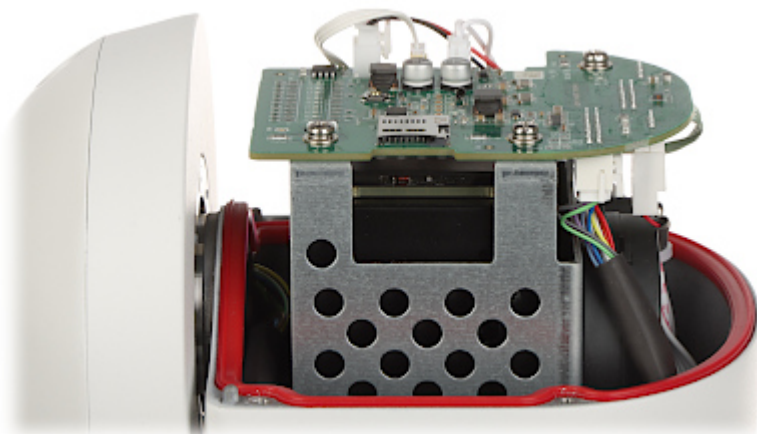
Front view:



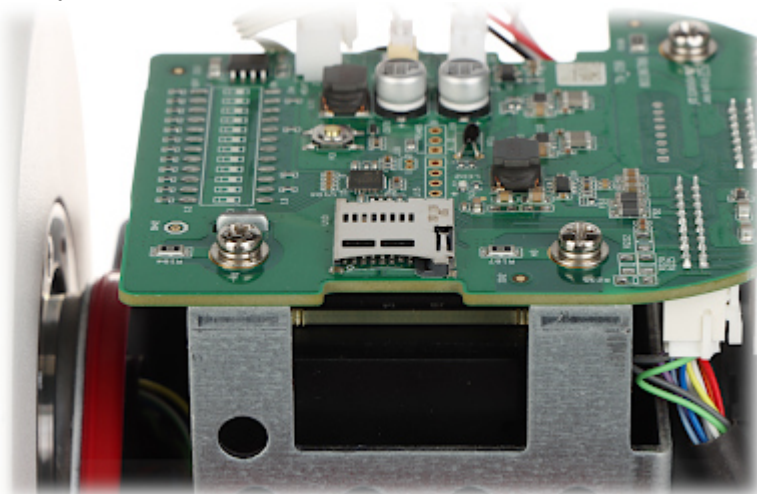
Side view:



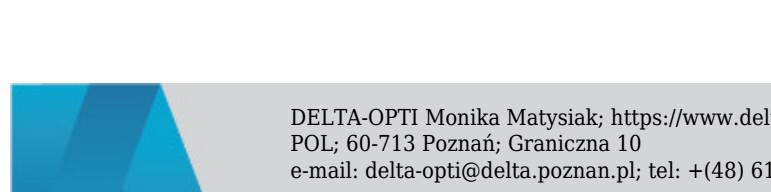
Internal view of the housing:



Memory card slot:

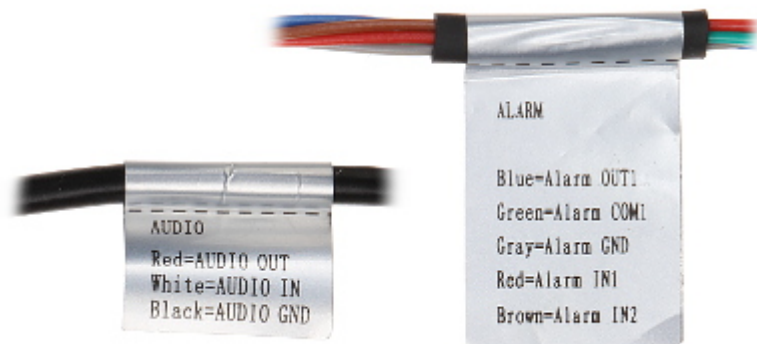


Camera connectors:





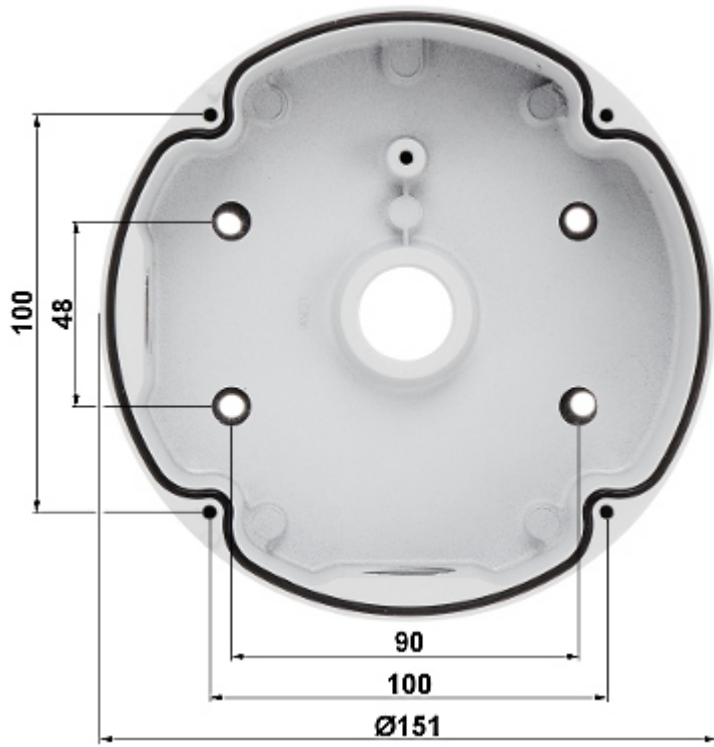
Connectors description:



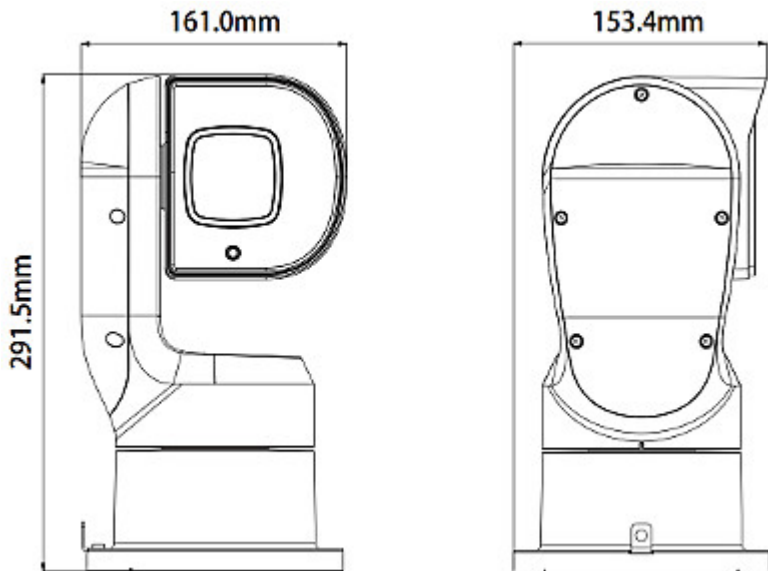
Bracket view:



Bracket dimensions:



Camera dimensions:



In the kit:



OUR TESTS

Camera image at artificial illumination (about 30Lux):



Camera image at night conditions with internal built-in IR illuminator on:



Camera image at direct strong light opposite to camera:

