

Code: BCS-V-SI238IRX32(II)

IP SPEED DOME CAMERA OUTDOOR **BCS-V-SI238IRX32(II)** - 1080p 4.8 ... 153 mm BCS View

Net: **893.06 EUR** Gross: **1 098.46 EUR**

IP camera equipped with very good high resolution sensor. Due to above it is perfect solution for surveillance systems requiring persons or vehicles recognition.

Built-in IR illuminator allows to operate at night conditions, and vari-focal lens with wide range of view angle adjustment enables optimal set the view field of camera to all conditions. The range of IR illumination according to the manufacturer data, depends on outer conditions (visibility - air transparency, environment, wall colors ie. scene reflectance).

PoE powering possibility, compatible with the 802.3at standard makes the device more universal and easier to install. For a few models of IP cameras working at $\geq 1920 \times 1080$ resolution we recommend to use of network with 1Gb/s bandwidth.



SPECIFICATION

Standard:	TCP/IP
Sensor:	1/2.8 " Progressive Scan CMOS
Matrix size:	2.1 Mpx
Resolution:	1920 x 1080 - 1080p 1280 x 960 - 960p 1280 x 720 - 720p
Scanning system:	Progressive
Lens:	4.8 ... 153 mm
View angle:	55.6 ° ... 2.04 ° (manufacturer data) 58 ° ... 2.8 ° (our tests result)
Optical zoom:	x 32
Digital zoom:	x 16
Range of IR illumination:	150 m
Video output:	—
Preset rotation speed:	max. 120 °/s horizontal max. 80 °/s vertical
Rotation speed (manual control):	0.1 °/s ... 120 °/s (horizontal) 0.1 °/s ... 80 °/s (vertical)
Horizontal rotation range:	360 ° continuous

DELTA-OPTI Monika Matysiak; <https://www.delta.poznan.pl>
POL; 60-713 Poznań; Graniczna 10
e-mail: delta-opti@delta.poznan.pl; tel: +(48) 61 864 69 60

Vertical rotation range:	-15 ° ... 90 °
RS-485 interface:	—
Number of presets:	300
Horizontal scan:	✓
Route settings:	8
Park action:	Call the set function (tour, scan, etc.) after specified dwell time
Image compression method:	H.265+ / H.265 / H.264+ / H.264 / MJPEG
Audio:	<ul style="list-style-type: none"> • External microphone input • Audio output • Bi-directional audio streaming support
Alarm inputs / outputs:	2 / 1
Main stream frame rate:	25 fps @ 1920 x 1080
Network interface:	10/100 Base-T (RJ-45)
Network protocols:	IPv4/IPv6, HTTP, HTTPS, IEEE 802.1x, QoS, FTP, SMTP, UPnP, SNMP, DNS, DDNS, NTP, RTSP, RTCP, RTP, TCP/IP, UDP, IGMP, ICMP, DHCP, PPPoE, Bonjour, P2P
WEB Server:	Built-in, NVR compliance
Max. number of on-line users:	20
ONVIF:	✓
Memory card slot:	Micro SD memory cards up to 256GB support (possible local recording)
Mobile phones support:	Port no.: 8000 or access by a cloud (P2P) <ul style="list-style-type: none"> • Android: Free application BCS View • iOS (iPhone): Free application BCS View
Default admin user / password:	admin / - The administrator password should be set at the first start
Default IP address:	192.168.1.64
Web browser access ports:	80
PC client access ports:	Port no.: 8000 or access by a cloud (P2P)
Mobile client access ports:	8000
Port ONVIF:	80
RTSP URL:	<ul style="list-style-type: none"> • Main stream : rtsp://user:password@192.168.1.64:554/Streaming/Channels/101/ • Sub stream : rtsp://user:password@192.168.1.64:554/Streaming/Channels/102/
Main features:	<ul style="list-style-type: none"> • Intelligent Image Analysis : crossing the line (tripwire), intrusion, detection of entry into the area / exit from the area, abandoned/missing object, face detection • WDR - 120 dB - Wide Dynamic Range • 3D-DNR - Digital Noise Reduction • EIS - Electronic Image Stabilization • ROI - improve the quality of selected parts of image • ANR - Automatic Network Replenishment allows to save image to the card when the network connection with DVR is break (network failure) and next synchronize its • Call the set function (tour, scan, etc.) after specified dwell time • Motion Detection • 24 x Configurable Privacy Zones • Sharpness - sharper image outlines • Mirror - Mirror image • AGC - Automatic Gain Control • Day/Night mode (color/b&w/auto) • ICR - Movable InfraRed filter • WB - White Balance • AES - Auto Electronic Shutter • BLC - configurable Back Light Compensation • HLC - High Light Compensation (spot)
Power supply:	<ul style="list-style-type: none"> • PoE (802.3at), • 24 V AC / 3.0 A (power adapter included)



Max. power consumption:	< 30 W
Housing:	Speed Dome, Metal + Plastic
Color:	White + Black
Operation temp:	-30 °C ... 65 °C
"Index of Protection":	IP66
Vandal-proof:	—
Weight:	3.65 kg (without bracket)
Dimensions:	Ø 208 x 345 mm (without bracket)
Supported languages:	Polish, English, Bulgarian, Croatian, Czech, Danish, Estonian, Finnish, French, Greek, Spanish, Dutch, Lithuanian, Latvian, German, Norwegian, Portuguese, Russian, Romanian, Serbian, Slovak, Slovenian, Swedish, Turkish, Hungarian, Vietnamese, Italian
Manufacturer / Brand:	BCS View
Guarantee:	3 years

PRESENTATION

Bottom view:



Micro SD card slot is located inside the camera:



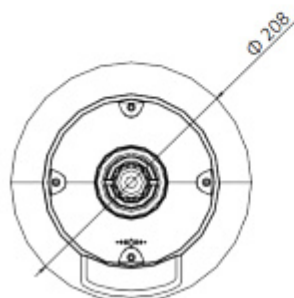
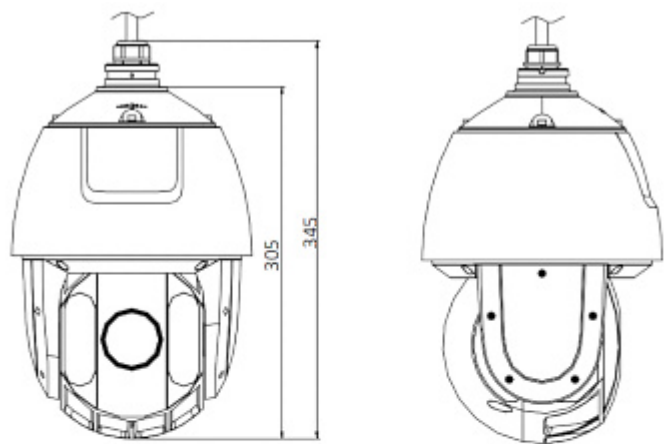
Camera connectors:



Connectors description:



Camera dimensions:



Unit: mm

In the kit:



OUR TESTS

Camera image at artificial illumination (about 30Lux):



Camera image at night conditions with internal built-in IR illuminator on:



Camera image at direct strong light opposite to camera:



PACKAGE

Dimensions (L x W x H): 0x0x0 mm	Gross Weight: 0 kg
----------------------------------	--------------------

