

Code: OMEGA-AI50P18-15

IP SPEED DOME CAMERA OUTDOOR **OMEGA-AI50P18-15** - 5 Mpx 5.35 ... 96.3 mm

Net: **271.31 EUR** Gross: **333.71 EUR**

IP camera equipped with very good high resolution sensor. Due to above it is perfect solution for surveillance systems requiring persons or vehicles recognition.

The range of IR illumination according to the manufacturer data, depends on outer conditions (visibility - air transparency, environment, wall colors ie. scene reflectance).

For a few models of IP cameras working at $\geq 1920 \times 1080$ resolution we recommend to use of network with 1Gb/s bandwidth.



SPECIFICATION

Standard:	TCP/IP
Sensor:	1/2.8 " Progressive Scan CMOS
Matrix size:	5 Mpx
Resolution:	2592 x 1944 - 5 Mpx , 2560 x 1440 - 4 Mpx , 1920 x 1080 - 1080p 1280 x 720 - 720p
Lens:	5.35 ... 96.3 mm
View angle:	• 59 ° ... 3.6 ° (manufacturer data) • 46 ° ... 3.5 ° (our tests result)
Optical zoom:	x 18
Auto IR illuminator:	Adaptive adjusting of the IR illuminator power to the lens zoom and outdoor light conditions
Range of IR illumination:	120 m
S/N ratio:	≥ 50 dB (AGC off)
Video output:	—
Rotation speed (manual control):	1 °/s ... 120 °/s (horizontal) 1 °/s ... 60 °/s (vertical)
Horizontal rotation range:	360 ° continuous

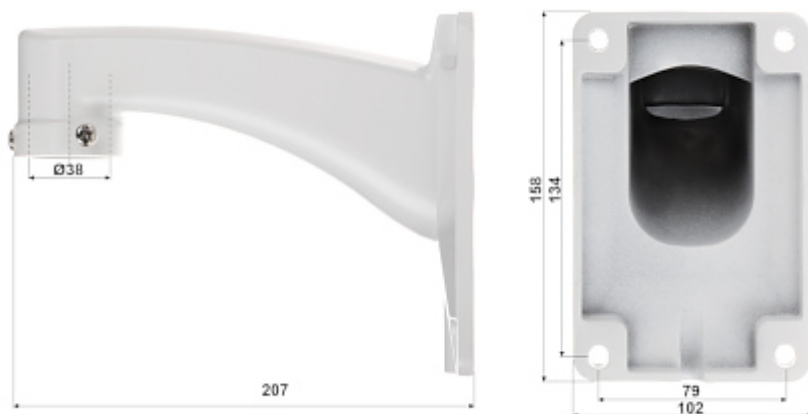
DELTA-OPTI Monika Matysiak; <https://www.delta.poznan.pl>
POL; 60-713 Poznań; Graniczna 10
e-mail: delta-opti@delta.poznan.pl; tel: +(48) 61 864 69 60

Vertical rotation range:	0 ° ... 93 °
RS-485 interface:	—
Number of presets:	255
Horizontal scan:	✓
Image compression method:	H.265 / H.264
Protections:	Overvoltage
Alarm inputs / outputs:	—
Network interface:	10/100 Base-T (RJ-45)
Network protocols:	TCP/IP, ICMP, HTTP, HTTPS, FTP, DHCP, DNS, DDNS, RTP, RTSP, RTCP, NTP, SMTP
Main stream frame rate:	<ul style="list-style-type: none"> • 20 fps @ 5 Mpx • 25 fps @ 4 Mpx
WEB Server:	Built-in
ONVIF:	✓
Mobile phones support:	Port no.: 80 or access by a cloud (P2P) <ul style="list-style-type: none"> • Android: Free application BitVision • iOS (iPhone): Free application BitVision
Default IP address:	192.168.1.168
Default admin user / password:	admin / admin
Web browser access ports:	80
Port ONVIF:	8999
RTSP URL:	rtsp://ip_address/1/h264major - Main stream rtsp://ip_address/1/h264minor - Sub stream
Route settings:	3
OSD menu:	preset 95
Main features:	<ul style="list-style-type: none"> • Intelligent Image Analysis : intrusion, motion detection based on human detection, video sabotage • D-WDR - Wide Dynamic Range • 3D-DNR - Digital Noise Reduction • ROI - improve the quality of selected parts of image • LDC - lens distortion correction • ICR - Movable InfraRed filter • BLC - configurable Back Light Compensation • Auto White Balance • IR illuminator optimization • Mirror - Mirror image • Privacy zones - max. 3
Power supply:	12 V DC / 3 A (power adapter included)
Power consumption:	≤ 33 W
Housing:	Speed Dome, Metal
Color:	White + Black
"Index of Protection":	IP66
Operation temp:	-20 °C ... 60 °C
Weight:	2.34 kg (with bracket)
Dimensions:	340 x 275 x 188 mm (with bracket)
Supported languages:	English
Manufacturer / Brand:	OMEGA
Guarantee:	2 years

PRESENTATION



Bracket dimensions:



Camera connectors:



In the kit:

DELTA-OPTI Monika Matysiak; <https://www.delta.poznan.pl>
POL; 60-713 Poznań; Graniczna 10
e-mail: delta-opti@delta.poznan.pl; tel: +(48) 61 864 69 60



OUR TESTS

Camera image at artificial illumination (about 30Lux):



Camera image at night conditions with internal built-in IR illuminator on:



Camera image at direct strong light opposite to camera:



OUR OPINIONS



- o Very nice image at 5 MPx resolution.

PACKAGE

DELTA-OPTI Monika Matysiak; <https://www.delta.poznan.pl>
POL; 60-713 Poznań; Graniczna 10
e-mail: delta-opti@delta.poznan.pl; tel: +(48) 61 864 69 60

Dimensions (L x W x H): 0x0x0 mm	Gross Weight: 0 kg
----------------------------------	--------------------

