

Code: PTZ19245U-IRB-N

IP SPEED DOME CAMERA OUTDOOR **PTZ19245U-IRB-N** - 1080p 3.95 ... 177.7 mm DAHUA

Net: **4 270.25 EUR** Gross: **5 252.41 EUR**

Intelligent 3D Positioning System.

The biggest advantage of the camera is the lens with x45 optical zoom, which together with long range IR illuminator allow to 24 hours surveillance without any additional lighting even at area of several hundred meters. Due to above it is perfect solution for surveillance systems requiring persons or vehicles recognition. Thanks to the "Starlight" technology used, the camera only needs very low lighting to obtain a clear color image.

The range of IR illumination according to the manufacturer data, depends on outer conditions (visibility - air transparency, environment, wall colors ie. scene reflectance).

For a few models of IP cameras working at $\geq 1920 \times 1080$ resolution we recommend to use of network with 1Gb/s bandwidth.

Output of the camera cables is designed from the side of the base.



SPECIFICATION

Standard:	TCP/IP
Sensor:	1/2.8 " Progressive Scan STARVIS™ CMOS
Matrix size:	2.1 Mpx
Resolution:	1920 x 1080 - 1080p 1280 x 960 - 1.3 Mpx 1280 x 720 - 720p
Lens:	3.95 ... 177.7 mm
View angle:	70 ° ... 1.8 °
Optical zoom:	x 45
Digital zoom:	x 16
Range of IR illumination:	350 m
Video output:	1 Vpp / 75 Ω - BNC
Preset rotation speed:	max. 120 °/s (horizontal) max. 60 °/s (vertical)
Rotation speed (manual control):	0.1 °/s ... 120 °/s (horizontal) 0.1 °/s ... 60 °/s (vertical)
Horizontal rotation range:	360 ° continuous
Vertical rotation range:	-55 ° ... 223 °

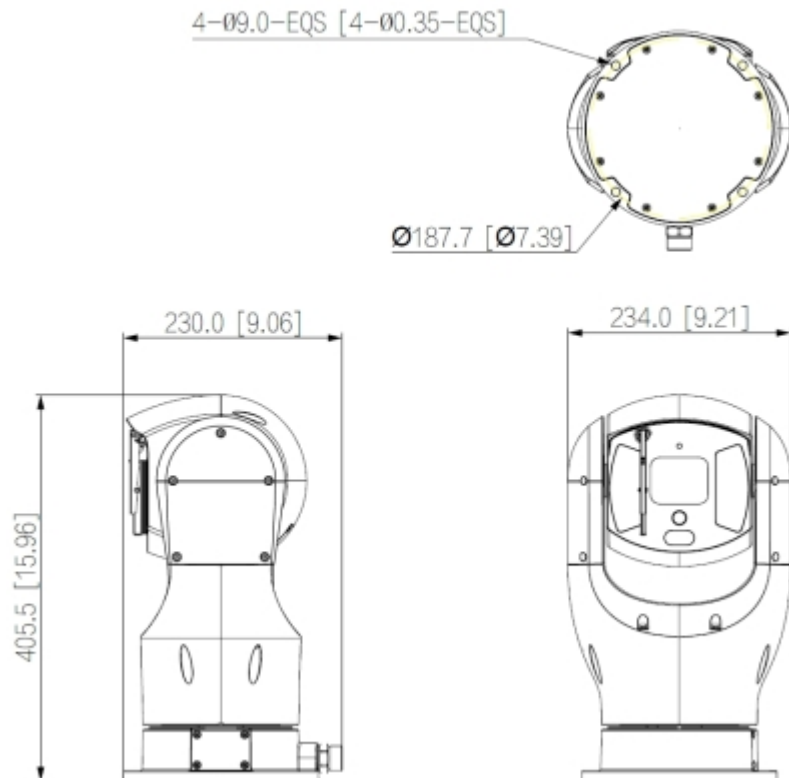
DELTA-OPTI Monika Matysiak; <https://www.delta.poznan.pl>
POL; 60-713 Poznań; Graniczna 10
e-mail: delta-opti@delta.poznan.pl; tel: +(48) 61 864 69 60

RS-485 interface:	✓
Protocols:	Pelco-D, Pelco-P, DH-SD Auto detection
Number of presets:	300
Horizontal scan:	✓
Route settings:	8
Image compression method:	H.265+ / H.265 / H.264+ / H.264
Alarm inputs / outputs:	7 / 2
Audio:	<ul style="list-style-type: none"> • Audio input • Audio output • Bi-directional audio streaming support
Main stream frame rate:	1 ... 50 fps @ 1080p
Network interface:	10/100 Base-T (RJ-45)
Network protocols:	IPv4/IPv6, HTTP, HTTPS, SSL, TCP/IP, UDP, UPnP, ICMP, IGMP, SNMP, RTSP, RTP, SMTP, NTP, DHCP, DNS, PPPoE, DDNS, FTP, IP Filter, QoS, Bonjour, IEEE 802.1x
WEB Server:	Built-in, NVR compliance
Max. number of on-line users:	20
ONVIF:	✓
Mobile phones support:	Port no.: 37777 or access by a cloud (P2P) <ul style="list-style-type: none"> • Android: Free application DMSS • iOS (iPhone): Free application DMSS
Memory card slot:	Micro SD memory cards up to 256GB support (possible local recording)
Main features:	<ul style="list-style-type: none"> • Intelligent Object Tracking • EIS - Electronic Image Stabilization • WDR - 120 dB - Wide Dynamic Range • ULTRA DNR 2D/3D - Digital Noise Reduction • F-DNR (Defog) - Reduction of image noise caused by precipitation • BLC/HLC - Back Light / High Light Compensation • ROI - improve the quality of selected parts of image • Day/Night mode (color/b&w/auto) • ICR - Movable InfraRed filter • WB - White Balance (ATW/AWB/manual/indoor/outdoor) • AGC - Automatic Gain Control • Sharpness - sharper image outlines • Auto Flip - auto-rotates the camera during "tilt" type moving • Motion Detection • Configurable Privacy Zones - 24 • video sabotage • Wiper • Power Up Action - execution the required camera function after power up • Heat map - the selection in the image by corresponding colors the areas with different traffic • IVS analysis : crossing the line (tripwire), intrusion, abandoned/missing object, face detection, scene changing • Corrosion protection in accordance with the requirements of NEMA 4X
Housing:	Metal
Color:	White
"Index of Protection":	IP68
Power supply:	<ul style="list-style-type: none"> • Hi-PoE, • 24 V AC / 5 A (power adapter included)
Power consumption:	<ul style="list-style-type: none"> ≤ 40 W @ Hi-PoE ≤ 80 W @ 12 V
Operation temp:	-50 °C ... 70 °C @ 24 V AC
Weight:	9.8 kg (with bracket)
Dimensions:	Ø 234 x 205 x 405.5 mm

Supported languages:	Polish, English
Manufacturer / Brand:	DAHUA
Guarantee:	3 years

PRESENTATION

Dimensions:



See how to initialize DAHUA cameras:

:

OUR OPINIONS



- Thanks to the "Starlight" technology used, the camera only needs very low lighting to obtain a clear color image.

PACKAGE

Dimensions (L x W x H): 0x0x0 mm	Gross Weight: 0 kg
----------------------------------	--------------------

