

Code: OMEGA-21P22-12

# IP SPEED DOME CAMERA OUTDOOR **OMEGA-21P22-12** - 1080p 3.9 ... 85.5 mm

Net: **249.38 EUR** Gross: **306.74 EUR**

IP camera equipped with very good high resolution sensor. Due to above it is perfect solution for surveillance systems requiring persons or vehicles recognition.

Very easy operation by Internet Explorer browser allows the users to convenient and remote support, and also remote management of the camera. Included camera software enables management and integrated monitoring of many network cameras.

For a few models of IP cameras working at  $\geq 1920 \times 1080$  resolution we recommend to use of network with 1Gb/s bandwidth.



## SPECIFICATION

Standard:	TCP/IP
Sensor:	1/2.7 " OmniVision Low Illumination CMOS
Digital Image Processor:	Hisilicon 3516C
Matrix size:	2.0 Mpx
Resolution:	1920 x 1080 - 1080p 1280 x 960 - 1.3 Mpx 1280 x 720 - 720p 720 x 576 - D1 720 x 480 640 x 480
Scanning system:	Progressive
Lens:	3.9 ... 85.5 mm
View angle:	<ul style="list-style-type: none"><li>• 55 ° ... 3.4 ° (manufacturer data)</li><li>• 40 ° ... 5 ° (our tests result)</li></ul>
Optical zoom:	x 22
Auto IR illuminator:	Adaptive adjusting of the IR illuminator power to the lens zoom and outdoor light conditions
Range of IR illumination:	120 m
S/N ratio:	$\geq 58$ dB (AGC off)
Video output:	—

DELTA-OPTI Monika Matysiak; <https://www.delta.poznan.pl>  
POL; 60-713 Poznań; Graniczna 10  
e-mail: [delta-opti@delta.poznan.pl](mailto:delta-opti@delta.poznan.pl); tel: +(48) 61 864 69 60

Rotation speed (manual control):	20 °/s (horizontal) 30 °/s (vertical)
Preset rotation speed:	30 °/s
Horizontal rotation range:	360 ° continuous
Vertical rotation range:	0 ° ... 93 °
RS-485 interface:	—
Number of presets:	255
Horizontal scan:	✓
Route settings:	3
Image compression method:	H.264 / MJPEG
Protections:	Overvoltage
Alarm inputs / outputs:	—
Network interface:	10/100 Base-T (RJ-45)
Network protocols:	TCP/IP, UDP, HTTP, DHCP, RTP/RTSP, DNS, DDNS, NTP, PPPOE, UPNP
ONVIF:	2.4
Mobile phones support:	—
Default IP address:	192.169.1.110
Default admin user / password:	admin / admin
OSD menu:	✓ preset 95
Main features:	<ul style="list-style-type: none"> <li>• DIS - Digital Image Stabilization</li> <li>• F-DNR (Defog) - Reduction of image noise caused by precipitation</li> <li>• WDR - Wide Dynamic Range</li> <li>• 3D-DNR - Digital Noise Reduction</li> <li>• ICR - Movable InfraRed filter</li> <li>• BLC - configurable Back Light Compensation</li> <li>• Auto White Balance</li> <li>• Day/Night mode (color/b&amp;w/auto)</li> <li>• Parking action - this function enables to locate the camera to specific position automatically if operator doesn't operate the controller for some time</li> <li>• IR illuminator optimization</li> <li>• Mirror - Mirror image</li> <li>• Motion Detection - 18 x 22 motion zones</li> <li>• Privacy zones - max. 4</li> <li>• ROI - improve the quality of selected parts of image</li> <li>• AGC - Automatic Gain Control</li> <li>• Configurable: brightness, contrast, saturation</li> <li>• Sharpness - sharper image outlines</li> </ul>
Power supply:	12 V DC / 3 A (power adapter included)
Housing:	Speed Dome, Metal
Color:	White
Operation temp:	-40 °C ... 60 °C
"Index of Protection":	IP66
Weight:	3.91 kg (with bracket)
Dimensions:	390 x 291 x 213 mm (with bracket)
Supported languages:	English
Manufacturer / Brand:	OMEGA
Guarantee:	2 years

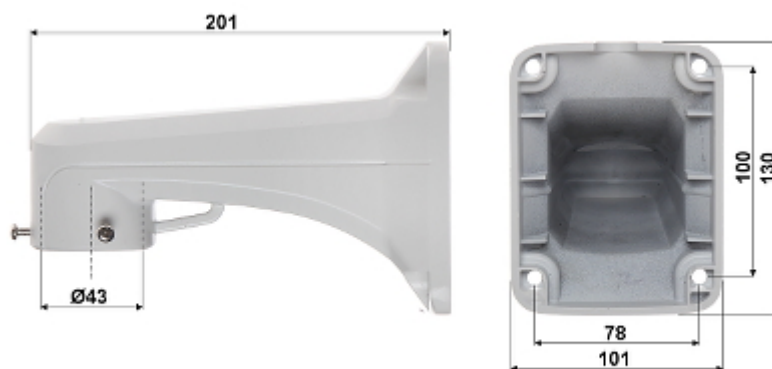
## PRESENTATION



DELTA-OPTI Monika Matysiak; <https://www.delta.poznan.pl>  
POL; 60-713 Poznań; Graniczna 10  
e-mail: delta-opti@delta.poznan.pl; tel: +(48) 61 864 69 60



Bracket dimensions:



Camera connectors:



In the kit:



## OUR TESTS

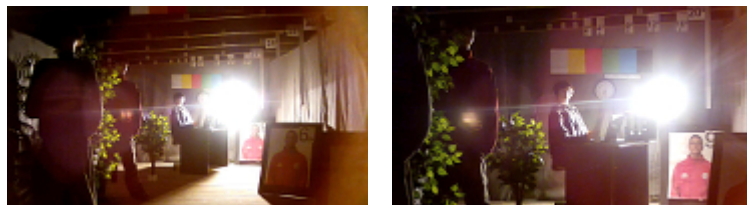
Camera image at artificial illumination (about 30Lux):



Camera image at night conditions with internal built-in IR illuminator on:



Camera image at direct strong light opposite to camera:



Record from camera during daylight operation:

:



DELTA-OPTI Monika Matysiak; <https://www.delta.poznan.pl>  
POL; 60-713 Poznań; Graniczna 10  
e-mail: [delta-opti@delta.poznan.pl](mailto:delta-opti@delta.poznan.pl); tel: +(48) 61 864 69 60